



NOVA STEEL



NOVASUN
Nova Steel Metal Corporation.

2023



**YOUR POWER
APPROACHING
TO SUN!**





NOVA STEEL



NOVASUN
Nova Steel Metal Corporation.

About Us

One of the most important factors in our world growing and developing day by day is energy requirement. Most of this requirement is fulfilled by fossil fuel. One of the most significant environmental problems today is global warming caused by increased quantity of carbon-dioxide in the atmosphere due to used fossil fuel. We have a role to prioritize solar energy, which does not give harm to environment and is a sustainable and steadier energy source, in order to save our world from such bad course of events.

As Nova Steel, we have been continuing to exist with our environment-friendly solutions, which fulfils the expectations of high-quality and convenient price by means of our experiences and specialist team and provides easy usage and energy savings and prevents the bad course of events in the nature, by virtue of SEP steel constructions manufactured by using state-of-art technologies since 2011.

As Nova Steel family, we carry out local and national manufacture completely in our factories located in Sanliurfa and Osmaniye Organized Industrial Zone according to standards ISO 9001, ISO 45001, ISO 50001 and ISO 14001.

As Nova Steel, one of the most important aspect differing us from our competitors as solar energy steel construction manufacturer is our delivery-on-time to our customers and wide and innovative range of special manufacture as well as our quality standards. In addition to references domestic and abroad in solar energy sector, we have been taking firm steps to become the most significant figure in the sector by means of manufacturing 36000 tons of steel, including 10000 tons of exportation.





NOVA STEEL



NOVASUN
Nova Steel Metal Corporation.

Content

| | |
|--|---------|
| About Us | 02 |
| Our Services | 03 |
| Quality | 04 |
| Profiles | 05 - 07 |
| Fixed Land Solar Energy Systems | 08 |
| Land Applied Construction Solution | 09 |
| Uniaxial Tracker System | 10 - 12 |
| Our Solutions As Per Roof Type | 13 |
| Trapezoid Sheet & Sandwich Panel Solutions | 14 - 16 |
| Aluminum Profiles | 17 - 19 |
| Our Flat & Membrane Roof Solutions | 20 |
| Our Tile Roof Solutions | 21 |
| Our Standing-Seam Roof Solutions | 21 |
| Roof Walking Path Systems | 22 - 23 |
| References | 24 - 26 |



www.novasteelmetal.com
info@novasteelmetal.com

+90 328 802 2288
+90 414 357 5551

Kadıkendi Mah. Evren 70. Sk. No:7/3 Eyyübiye/Şanlıurfa
Alibeyli Cad. Büyüktüysüz Köyü No:10 Toprakkale/Osmaniye



NOVA STEEL



NOVASUN
Nova Steel Metal Corporation.

Our Services

We would like to build the bright future of the world by means of our steel constructions manufactured by using state-of-art technologies, our static projects prepared meticulously, our Roof and Land SEP construction solutions designed by complying with nature.

Solar Energy Plants Land Construction Design and Manufacture

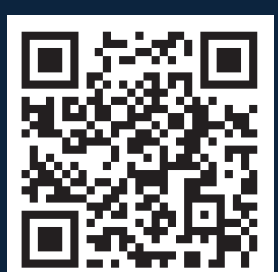
- 01 Fixed Land Construction System
- 02 Parking Construction System
- 03 Agricultural Irrigation Construction System
- 04 Tracker Construction System

Solar Energy Plants Roof Construction Design and Manufacture

- 01 Trapezoid Sheet Roof Construction System
- 02 Sandwich Panel Roof Construction System
- 03 Tile Roof Construction System
- 04 Flat Roof Construction System
- 05 Standing-Seam Roof Construction System

Solar Energy Plants Static Projecting

- 01 Land Applied Static Projecting
- 02 Roof Applied Static Projecting



www.novasteelmetal.com
info@novasteelmetal.com

+90 328 802 2288
+90 414 357 5551

Kadıkendi Mah. Evren 70. Sk. No:7/3 Eyyübiye/Şanlıurfa
Alibeyli Cad. Büyüktüysüz Köyü No:10 Toprakkale/Osmaniye

Your Power Approaching to Sun!



NOVA STEEL



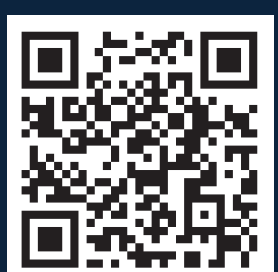
NOVASUN
Nova Steel Metal Corporation.

Quality

All products manufactured by Nova Steel are the products which fulfils the expectations of high-quality and convenient price and provide easy usage and energy savings and prevent the bad course of events in the nature and have environment-friendly solutions. Nova Steel has integrated concepts of high- level durability, longevity and permanence to quality management since 2011. Moreover, it has achieved to prioritize concept of quality on product and manufacturing together with delivery-on-time and customer satisfaction.

Our Manufacturing Standards

- 01 Law-tolerance manufacturing in required section and dimensions by means of special light steel construction shaping line.
- 02 Processes on steel S235 (ST 37) and S355 (ST 52) and manufacturing as per standard ISO 2768-1.
- 03 Hot dipped galvanized process as per standard EN ISO 1461.
- 05 Excellent products by means of laser and plasma cutting line.
- 06 Products in required angle and sections by means of folding machine line.
- 07 High quality manufacturing by means of experienced and well-qualified team.
- 08 Delivery-on-time by means of detailed manufacture planning.
- 09 Traceable manufacturing process by means of daily reporting.
- 10 Transparent manufacturing warranty by means of submitting certificates of EN 10204:2004 TYPE 3.1 and TS EN ISO 1461.
- 11 High-level customer satisfaction and strong references by means of our special and innovative range of manufacturing.



www.novasteelmetal.com
info@novasteelmetal.com

+90 328 802 2288
+90 414 357 5551

Kadıköndi Mah. Evren 70. Sk. No:7/3 Eyyübiye/Şanlıurfa
Alibeyli Cad. Büyüktüysüz Köyü No:10 Toprakkale/Osmaniye

Your Power Approaching to Sun!



NOVA STEEL



NOVASUN
Nova Steel Metal Corporation.

Profiles

Profiles manufactured by us according to ISO 9001, ISO 45001, ISO 50001, ISO 14001.



U Profile

Stainless Steel (SS304), Hot dipped galvanized steel (S235JR), Pre-galvanized (DX51D+Z)



Angled U Profile

Stainless Steel (SS304), Hot dipped galvanized steel (S235JR), Pre-galvanized (DX51D+Z)



C Profile

Stainless Steel (SS304), Hot dipped galvanized steel (S235JR), Pre-galvanized (DX51D+Z)



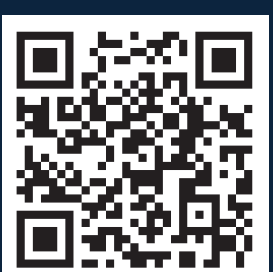
C Profile Plus

Stainless Steel (SS304), Hot dipped galvanized steel (S235JR), Pre-galvanized (DX51D+Z)



Angled C Profile

Stainless Steel (SS304), Hot dipped galvanized steel (S235JR), Pre-galvanized (DX51D+Z)



www.novasteelmetal.com
info@novasteelmetal.com

+90 328 802 2288
+90 414 357 5551

Kadıkendi Mah. Evren 70. Sk. No:7/3 Eyyübiye/Şanlıurfa
Alibeyli Cad. Büyüktüysüz Köyü No:10 Toprakkale/Osmaniye



NOVA STEEL



NOVASUN
Nova Steel Metal Corporation.

Profiles

Profiles manufactured by us according to ISO 9001, ISO 45001, ISO 50001, ISO 14001.



Z Profile

Stainless Steel (SS304), Hot dipped galvanized steel (S235JR), Pre-galvanized (DX51D+Z)



Z Profile Plus

Stainless Steel (SS304), Hot dipped galvanized steel (S235JR), Pre-galvanized (DX51D+Z)



Sigma Profile

Stainless Steel (SS304), Hot dipped galvanized steel (S235JR), Pre-galvanized (DX51D+Z)



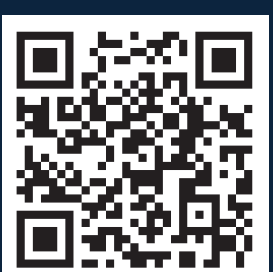
Omega Profile

Stainless Steel (SS304), Hot dipped galvanized steel (S235JR), Pre-galvanized (DX51D+Z)



L Profile

Stainless Steel (SS304), Hot dipped galvanized steel (S235JR), Pre-galvanized (DX51D+Z)



www.novasteelmetal.com
info@novasteelmetal.com

+90 328 802 2288
+90 414 357 5551

Kadıkendi Mah. Evren 70. Sk. No:7/3 Eyyübiye/Şanlıurfa
Alibeyli Cad. Büyüktüysüz Köyü No:10 Toprakkale/Osmaniye

Your Power Approaching to Sun!



NOVA STEEL



NOVASUN
Nova Steel Metal Corporation.

Profiles

Profiles manufactured by us according to ISO 9001, ISO 45001, ISO 50001, ISO 14001.



Diamond Profile

Stainless Steel (SS304), Hot dipped galvanized steel (S235JR), Pre-galvanized (DX51D+Z)



Diamond X Profile

Stainless Steel (SS304), Hot dipped galvanized steel (S235JR), Pre-galvanized (DX51D+Z)



M Profile

Stainless Steel (SS304), Hot dipped galvanized steel (S235JR), Pre-galvanized (DX51D+Z)



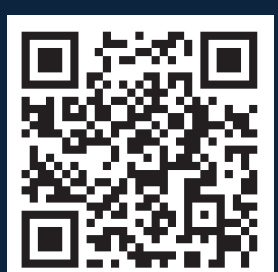
M Profile Plus

Stainless Steel (SS304), Hot dipped galvanized steel (S235JR), Pre-galvanized (DX51D+Z)



Two-Z Profile

Stainless Steel (SS304), Hot dipped galvanized steel (S235JR), Pre-galvanized (DX51D+Z)



www.novasteelmetal.com
info@novasteelmetal.com

+90 328 802 2288
+90 414 357 5551

Kadıkendi Mah. Evren 70. Sk. No:7/3 Eyyübiye/Şanlıurfa
Alibeyli Cad. Büyüktüysüz Köyü No:10 Toprakkale/Osmaniye

Your Power Approaching to Sun!

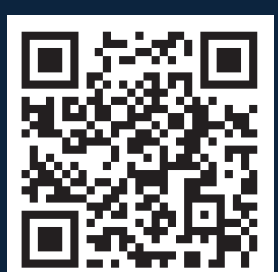
Fixed Land Solar Energy Systems

The design of construction in solar energy plants is made based on many factors such as static (snow, panel etc.) and dynamic (earthquake and wind loads) loads, soil class and parameters, type of foundation and module. Since Turkey is located in a crucial seismic belt, the earthquake zone is a significant factor in design of construction.

Herein, it is quite important to create the most economical static calculation, to choose the most suitable profiles that will meet the loads that will come from the ground and affect the system in terms of investment cost.

The assessment of construction from the point of the investors is made by taking into consideration of the factors such as ease of assembly, corrosion resistance, use of certified materials, environmental effects along with total weight.

In design and calculation of the carrier systems it should be ensured that there is adequate resistance, stiffness and durability during the stay of the employees and adequate safety capacity should be ensured against the possibility of overloading or loss of strength.





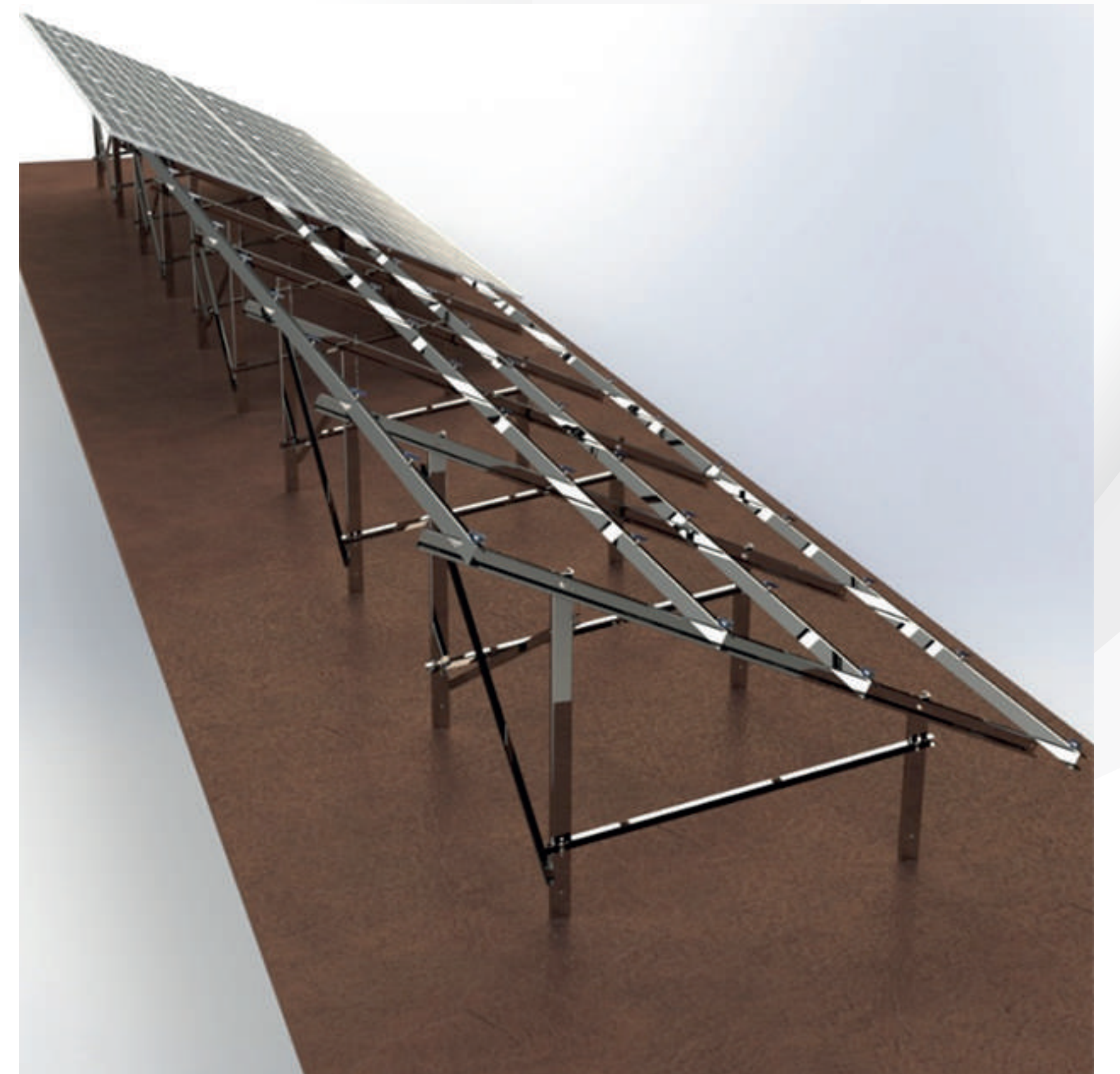
NOVA STEEL



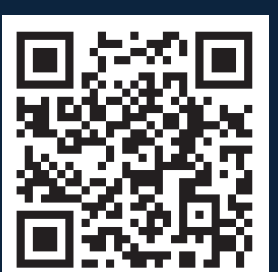
NOVASUN
Nova Steel Metal Corporation.

Land Applied SPP Construction Solution

The construction structures which is one of the most important building blocks should be carefully planned within the framework of the specific criteria in assembly of solar energy plants. The correct engineering techniques should be created with the correct raw material in order for these plants to become long-lasting and to have a durable structure.



- 01** Our construction system can be discretionally used as Stainless Steel, Hot Dipped Galvanized Coating and Pre-Galvanized Coating.
- 02** Construction systems can be designed optionally as double, triple, quadruple horizontally or vertically.
- 03** The cost of fixing to the ground (driving and core) is minimized owing to a small number of columns.
- 04** Elevation difference which occurs due to levelling and which is common problem in the fields is removed to the utmost through slots settled to the system.
- 05** The opportunity of assembly is ensured according to the installation manual of the panels.



www.novasteelmetal.com
info@novasteelmetal.com

+90 328 802 2288
+90 414 357 5551

Kadıkendi Mah. Evren 70. Sk. No:7/3 Eyyübiye/Şanlıurfa
Alibeyli Cad. Büyüktüysüz Köyü No:10 Toprakkale/Osmaniye

Your Power Approaching to Sun!



NOVA STEEL



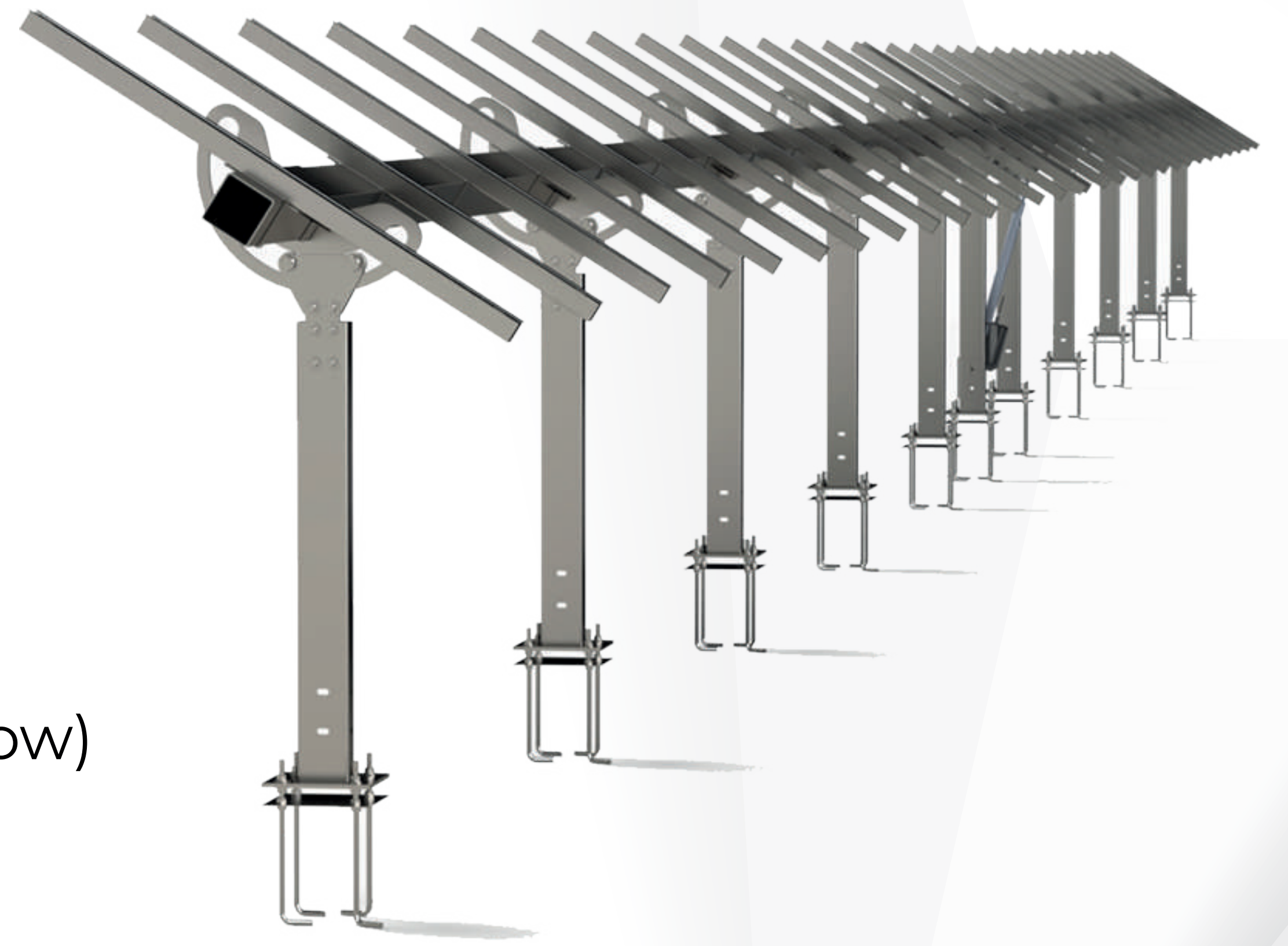
NOVASUN
Nova Steel Metal Corporation.

Uniaxial Tracker System

Uniaxial Tracker System" that we developed to obtain optimum efficiency in solar energy systems has non-sensor tracking feature with astronomic algorithm. The system is designed to operate smoothly up to 130 Km/H Wind speed in the toughest condition.

1.1. Features of System

- 01 Non-sensor Tracking Feature with Astronomic Algorithm.
- 02 Maximum 3° margin of error.
- 03 It can operate smoothly up to 130 Km/H Wind Speed.
- 04 Automatic Self Protection Feature at Wind Speed over 130 Km/H.
- 05 Backtracking Feature (Running from Shadow)
- 06 It can be adjusted with +/- 60° Angle.

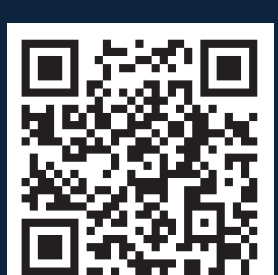


1.2. System Software

The software in our system is C++ based and it calculates the location of the sun through using the location information and time data obtained on internet and it adjusts system angle by determining motor length by means of trigonometric calculations.



As the conditions of the field of our system permit, it operates as single master and multiple slave. In this way, all the field can be controlled by a single card. This card can get information on angle and alarm status of the field through connecting to a computer and it can switch to manual mode, if requested.



www.novasteelmetal.com
info@novasteelmetal.com

+90 328 802 2288
+90 414 357 5551

Kadıkendi Mah. Evren 70. Sk. No:7/3 Eyyübiye/Şanlıurfa
Alibeyli Cad. Büyüktüysüz Köyü No:10 Toprakkale/Osmaniye



NOVA STEEL



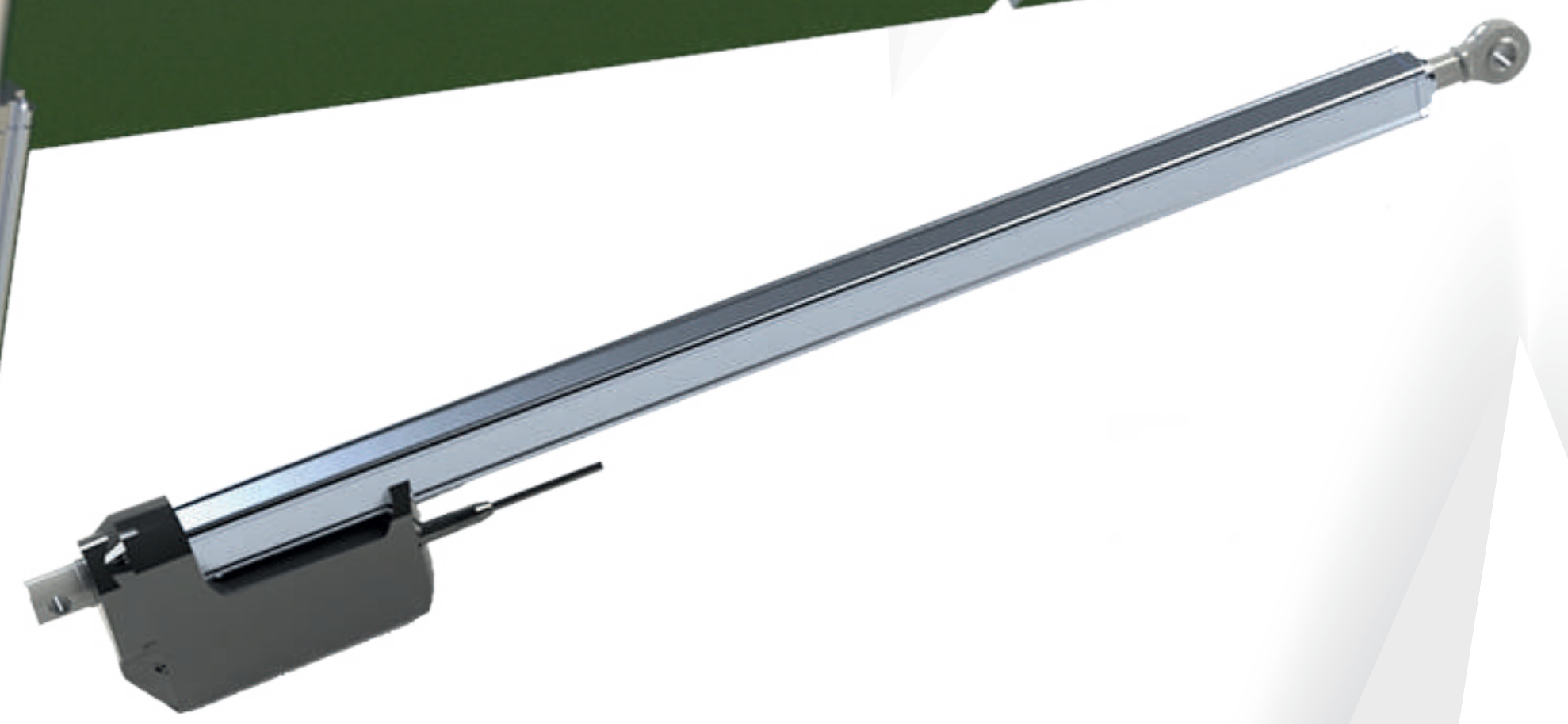
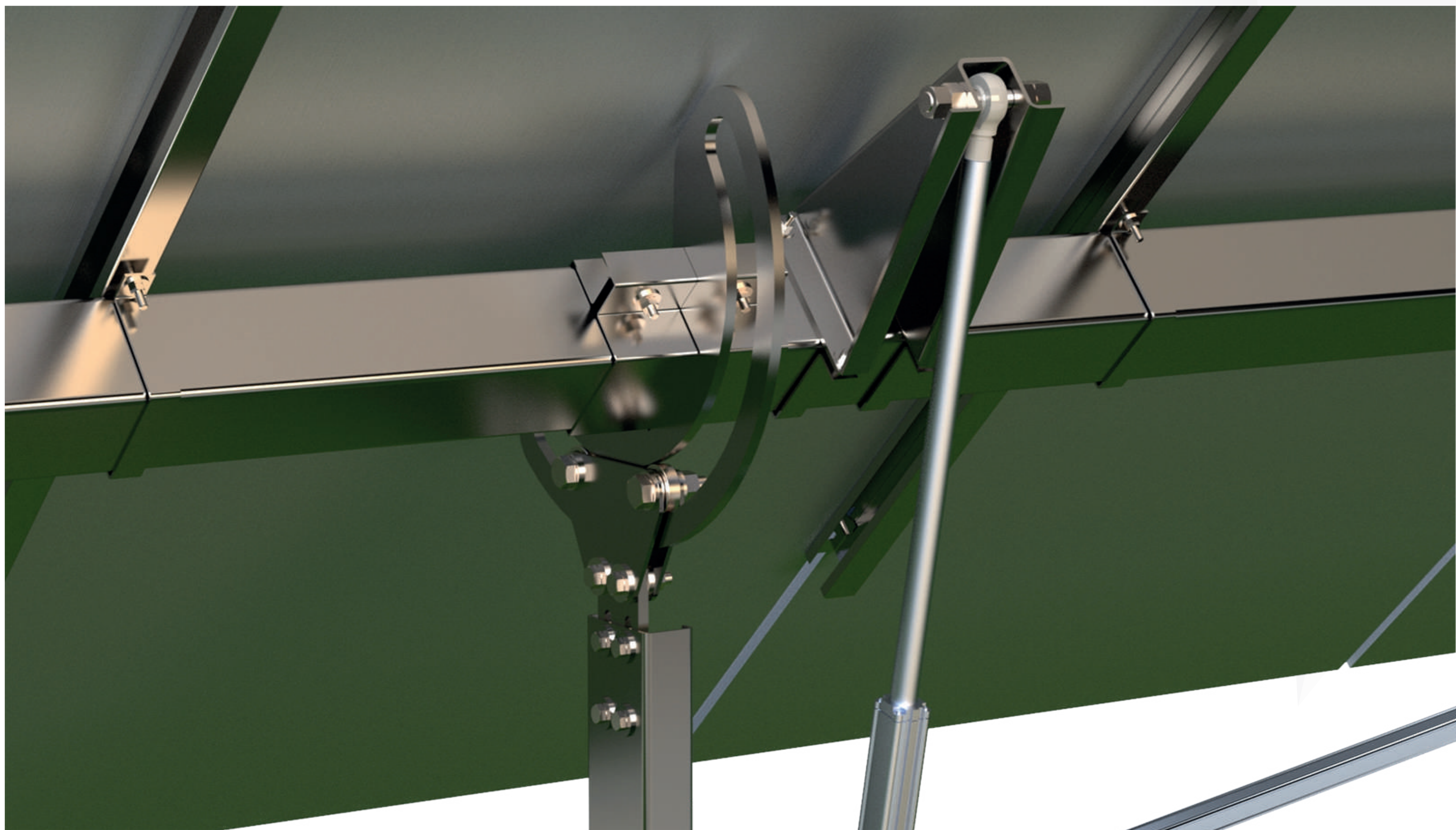
NOVASUN
Nova Steel Metal Corporation.

Uniaxial Tracker System

1.3. Linear Actuator Motor

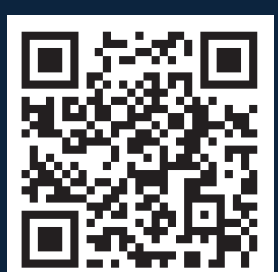
The linear actuator motors in our system have 24 V DC rated voltage with push and pull force of 1000 N/m. When the radial loads of the system are taken into consideration, the power of motor is seen as exceedingly adequate.

Our motor is checked from tracker control panels in every table. Tracker control panels receive the power from 220 V mains voltage. The current drawn from the mains voltage is maximum 3A during movement of the table.



1.4. Wind Sensor

The system automatically switches to stow mode (horizontal mode) at wind speeds exceeding 130 km/h under favor of the wind sensor in our system and it minimizes the risk of structural damage.



www.novasteelmetal.com
info@novasteelmetal.com

+90 328 802 2288
+90 414 357 5551

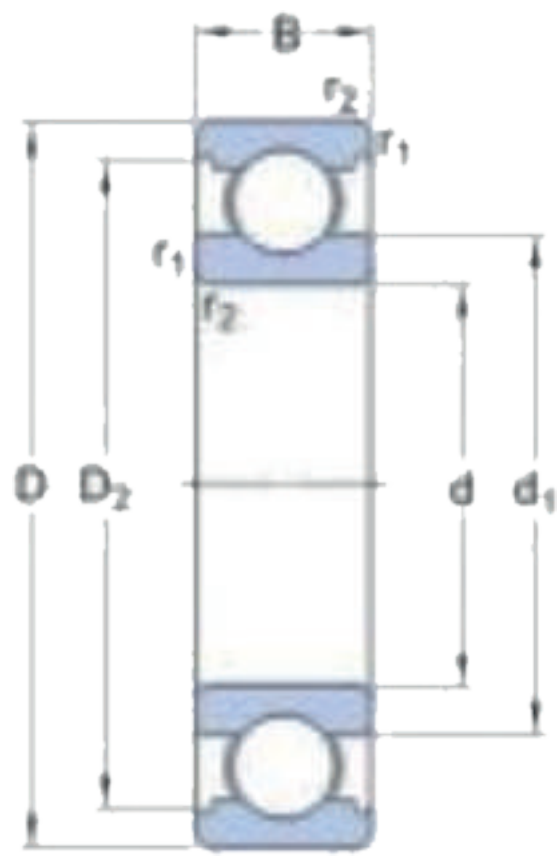
Kadıkendi Mah. Evren 70. Sk. No:7/3 Eyyübiye/Şanlıurfa
Alibeyli Cad. Büyüktüysüz Köyü No:10 Toprakkale/Osmaniye



Uniaxial Tracker System

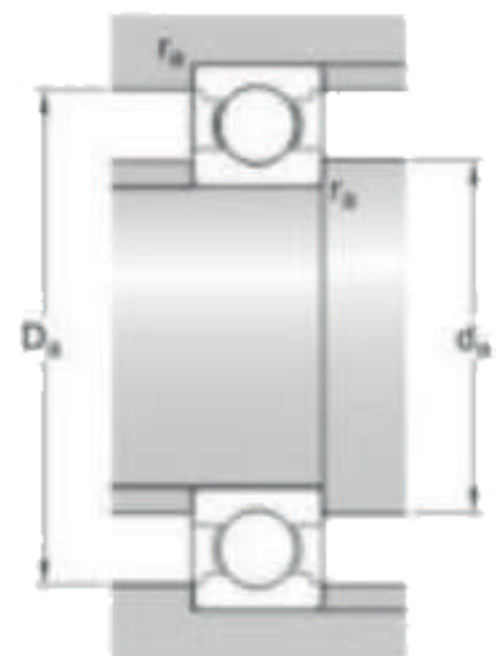
1.5. Bearings

The bearings with 6304 model number of SKF brand will be used in our system and its technical features are as follows;



Dimensions

| | | |
|------|-------------|-------------------|
| d | 20mm | Hole diameter |
| D | 52mm | Outer diameter |
| B | 15mm | Width |
| d1 | 30.35mm | Shoulder diameter |
| D2 | 44.71mm | Cavity diameter |
| f1,2 | min. 1.1 mm | Groove diameter |



Support Dimensions

| | | |
|----|-----------|-----------------------------|
| da | min. 27mm | Diameter of Mill Support |
| Da | max. 45mm | Diameter of Bearing Support |
| ra | max. 1mm | Radius of Mill and Bearing |

Calculation Data

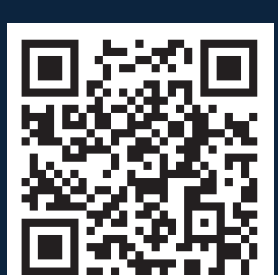
| | | |
|--------------------------|----|--------------|
| Basic Dynamic Load Value | C | 16.8 kN |
| Basic Static Load Value | C0 | 7.8 kN |
| Fatigue Load Limit | Pu | 0.335 kN |
| Reference Speed | | 30 000 r/min |
| Limitation Speed | | 19 000 r/min |
| Minimum Load Factor | kr | 0.03 |
| Calculation Factor | f0 | 12 |

Mass

| | | |
|--------------|--|---------|
| Bearing mass | | 0.14 kg |
|--------------|--|---------|

Tolerance Class

| | | |
|------------------------|--|----|
| Dimensional Tolerances | | P6 |
| Radial Misalignment | | P5 |





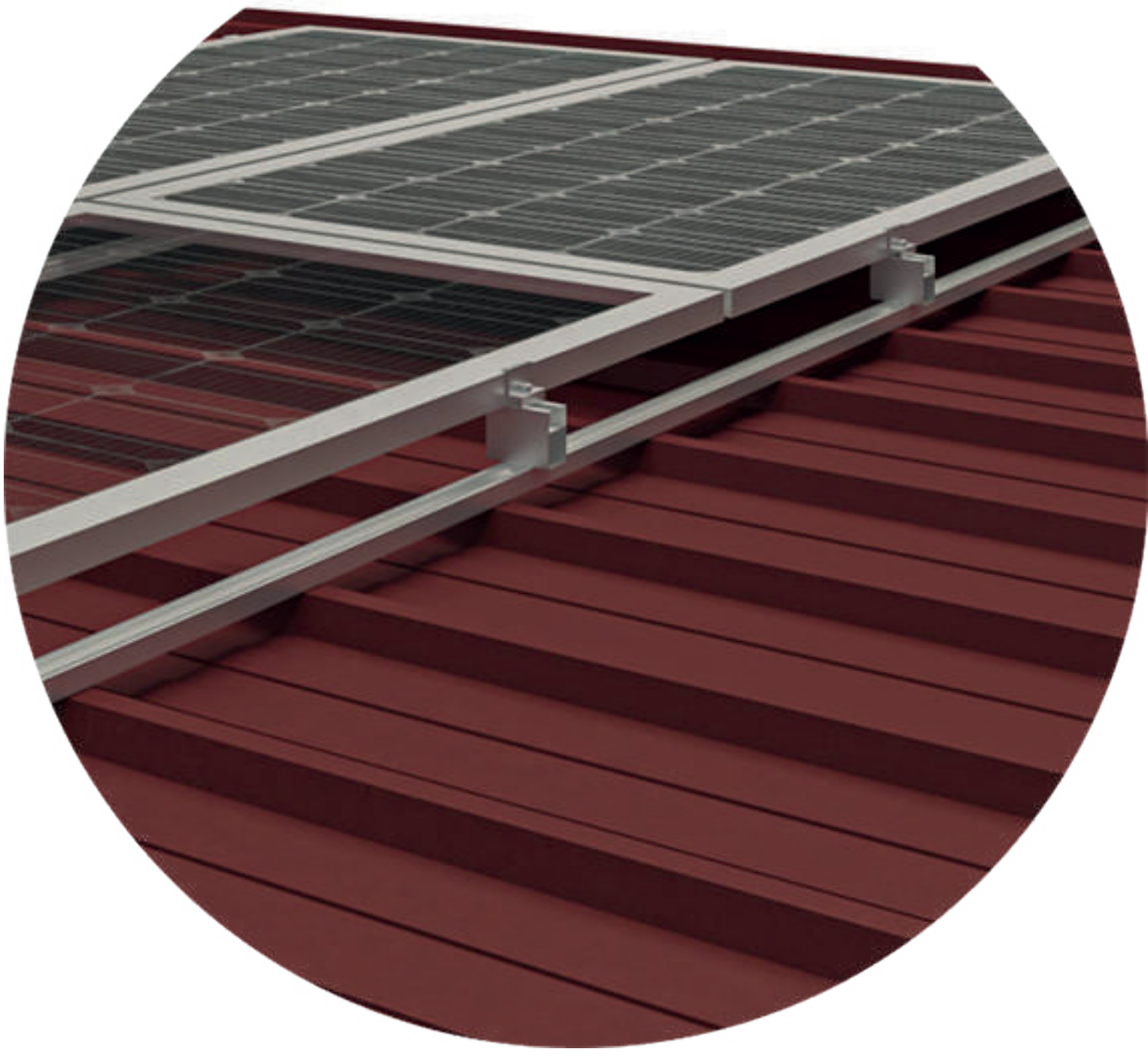
NOVA STEEL



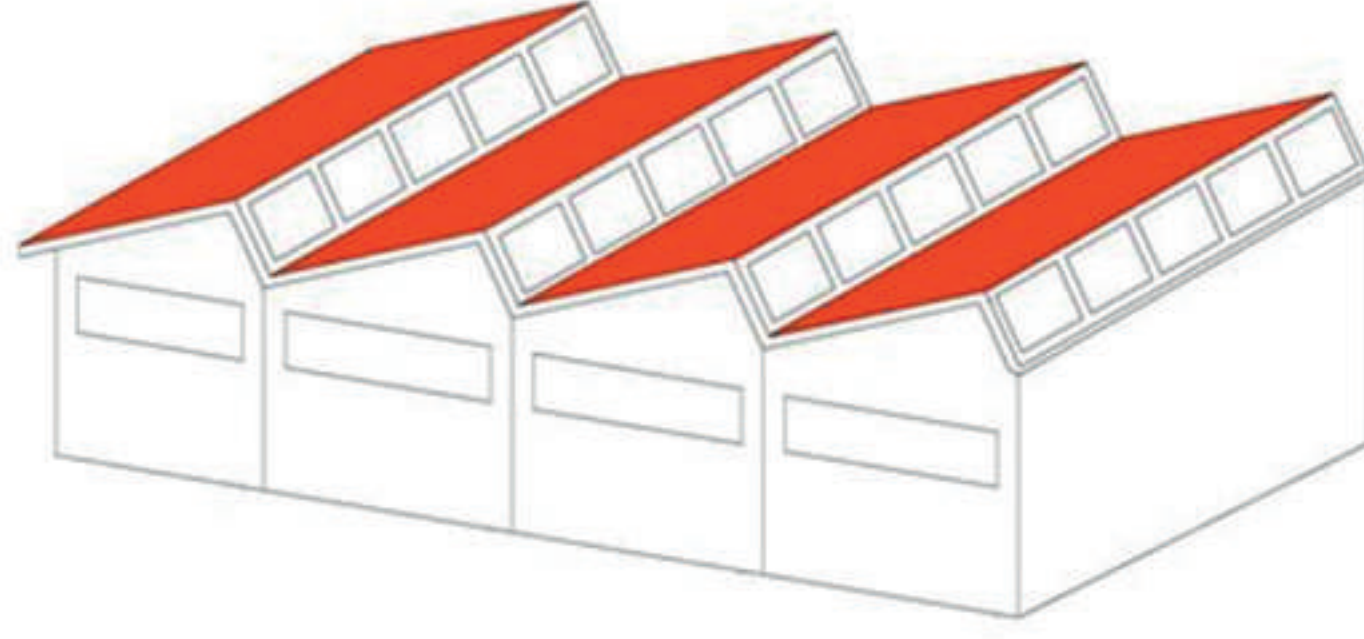
NOVASUN
Nova Steel Metal Corporation.

Our Solutions As per Roof Type

The construction systems which will be preferred according to roof material are made in proper size and dimensions and they are positioned to provide maximum efficiency. The structure of construction is created to last for many years and to carry the suitable weight. Our special designs are available in accordance with different types of roof or ground for different roof coatings by means of our construction solutions that we designed under the light of engineering.



TRAPEZOID SHEET



SAW ROOF



STANDING-SEAM ROOF



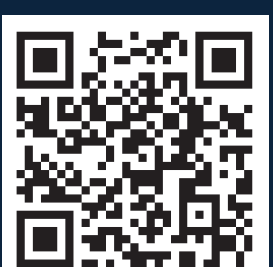
FLAT ROOF



SANDWICH PANEL



TILE ROOF



www.novasteelmetal.com
info@novasteelmetal.com

+90 328 802 2288
+90 414 357 5551

Kadıkendi Mah. Evren 70. Sk. No:7/3 Eyyübiye/Şanlıurfa
Alibeyli Cad. Büyüktüysüz Köyü No:10 Toprakkale/Osmaniye

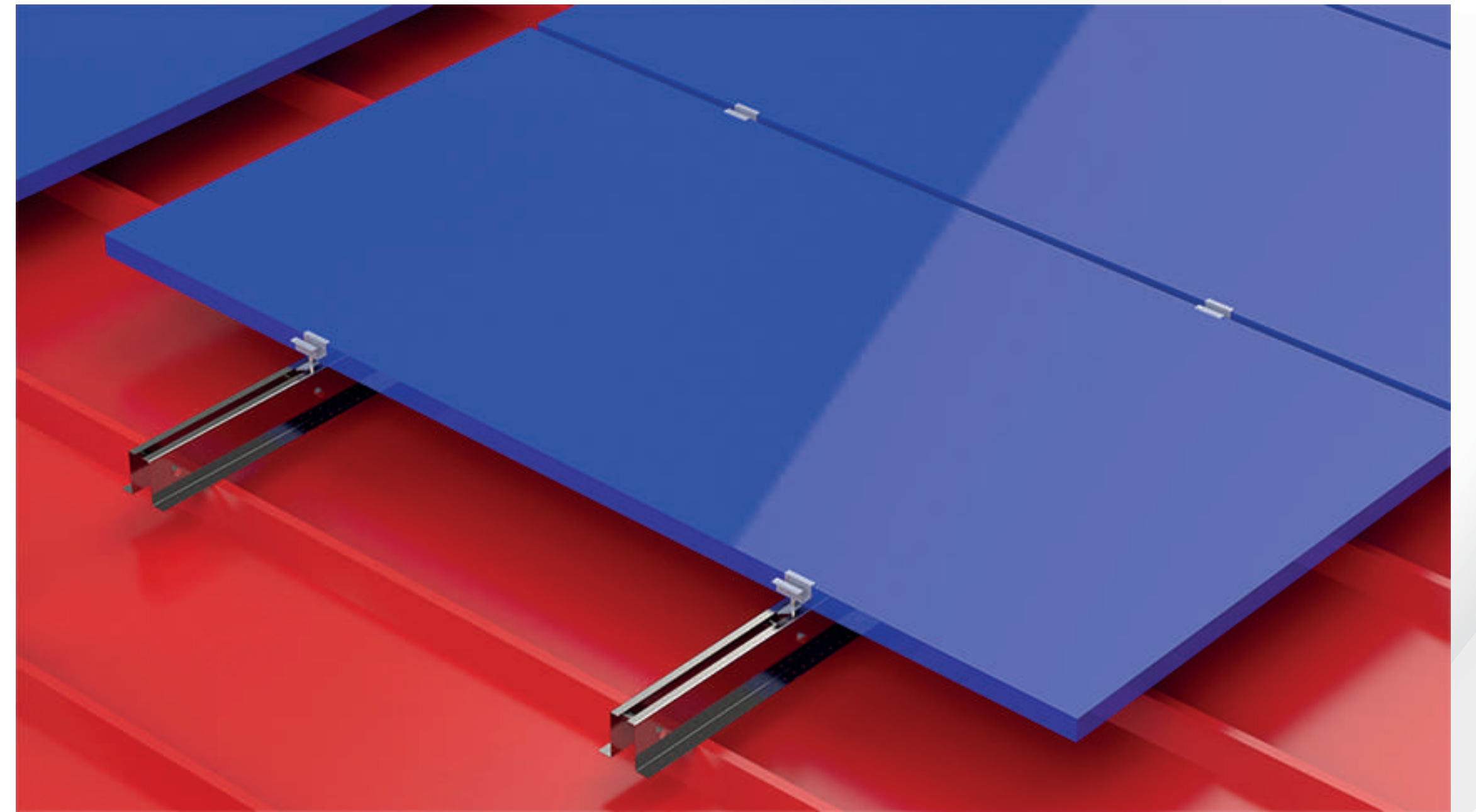
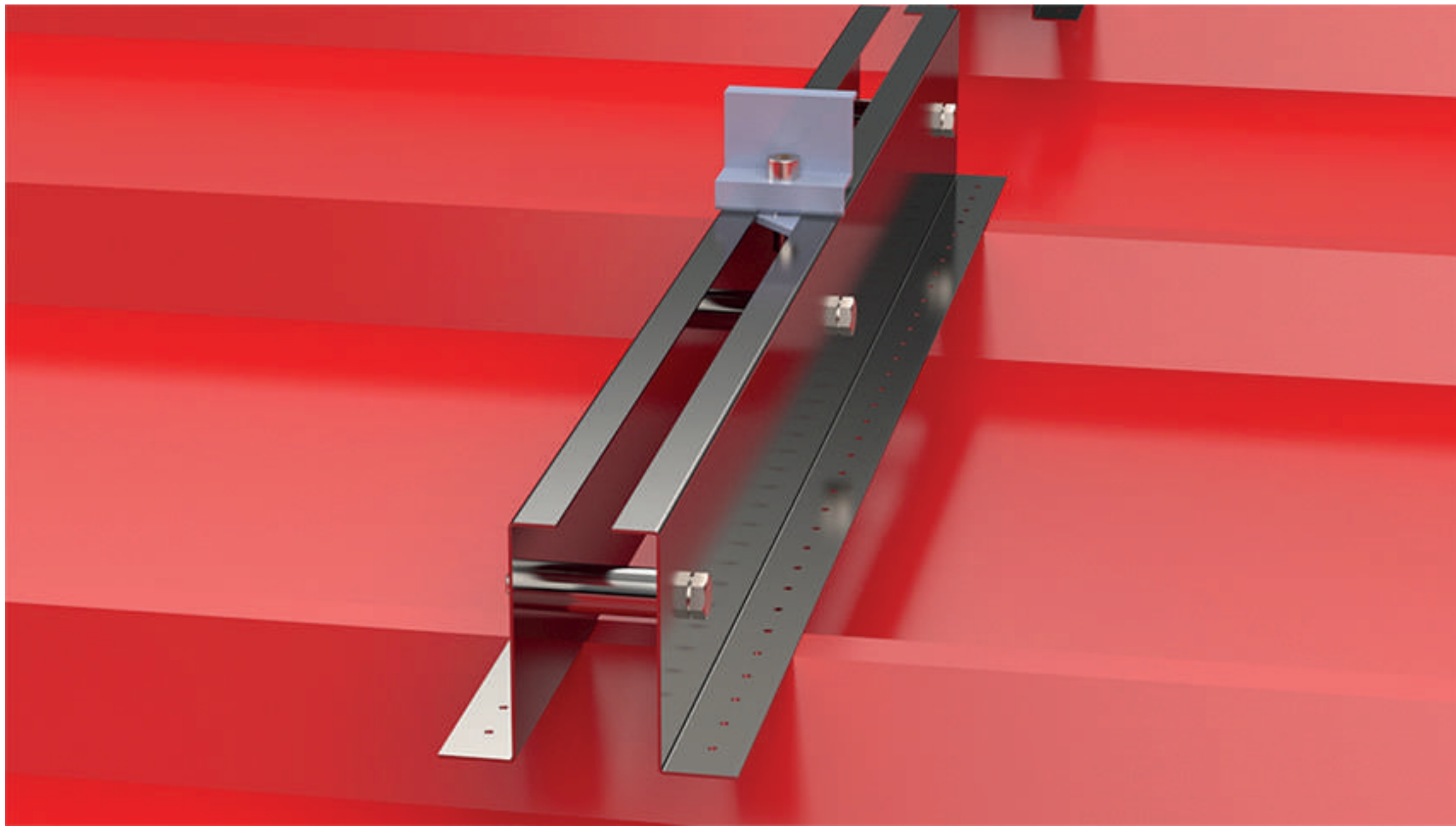
Your Power Approaching to Sun!



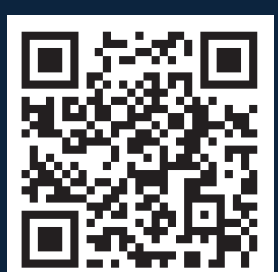
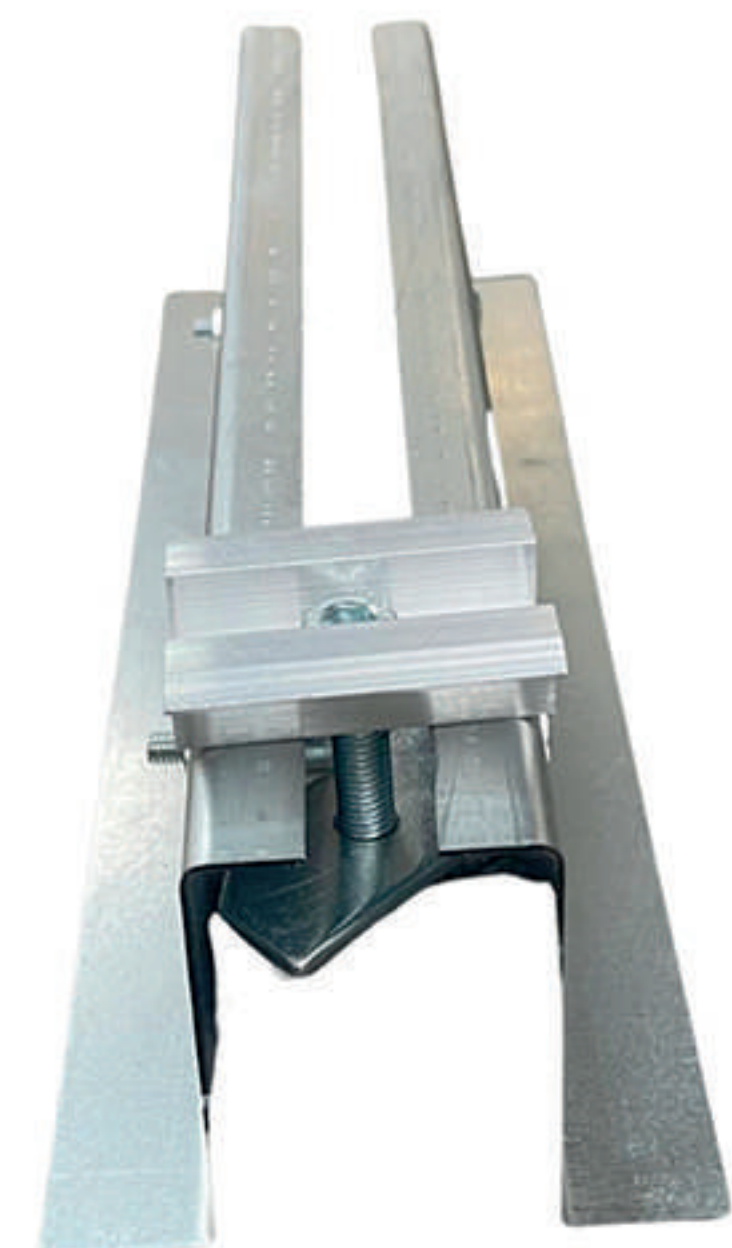
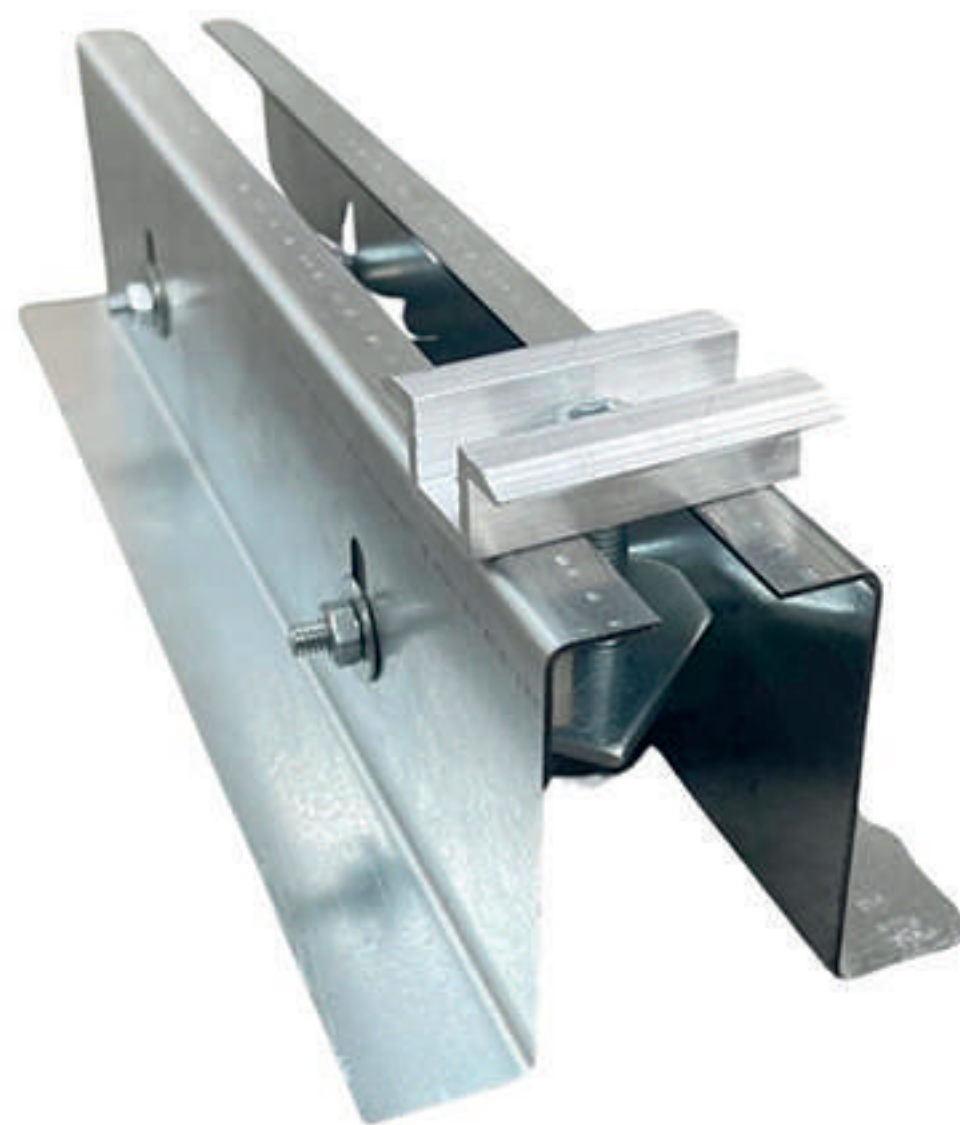
Trapezoid Sheet Sandwich Panel Solutions

1.1. Two-Z Profile

By means of fast delivery and ergonomic installation opportunity, we offer you our Two -Z profile product with title of best-selling roof product which is appropriate to use in Trapezoid Sheet and Sandwich Panel coating roofs (Roof coating should be greater than 0.50 mm) and which provides fast installation with maximum impermeability with EPDM band, secure mounting with Stainless Steel sealed roof screw under favor of rail system. Two-Z profile offers economical and ergonomic solutions in roof projects with its structure.



| Technical Data | |
|------------------|---|
| Area of Usage | Sandwich Panel & Trapezoid Sheeting Roofs |
| Length Options | 100-3800 mm |
| Height Options | 3-12 cm |
| Material Options | Stainless Steel (SS304), Hot dipped galvanized steel (S2353R), Pre-galvanized (DX51D+Z) |





NOVA STEEL

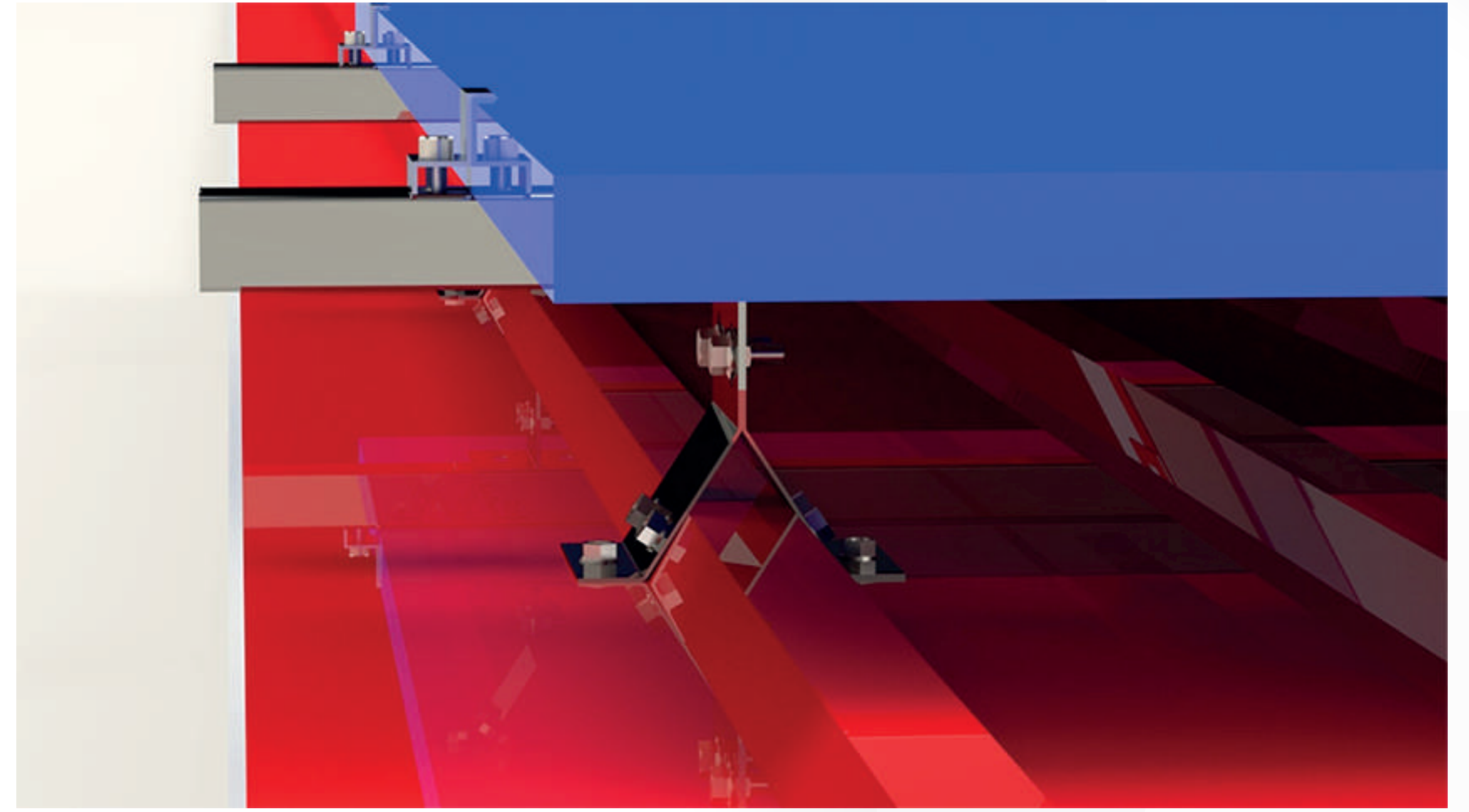
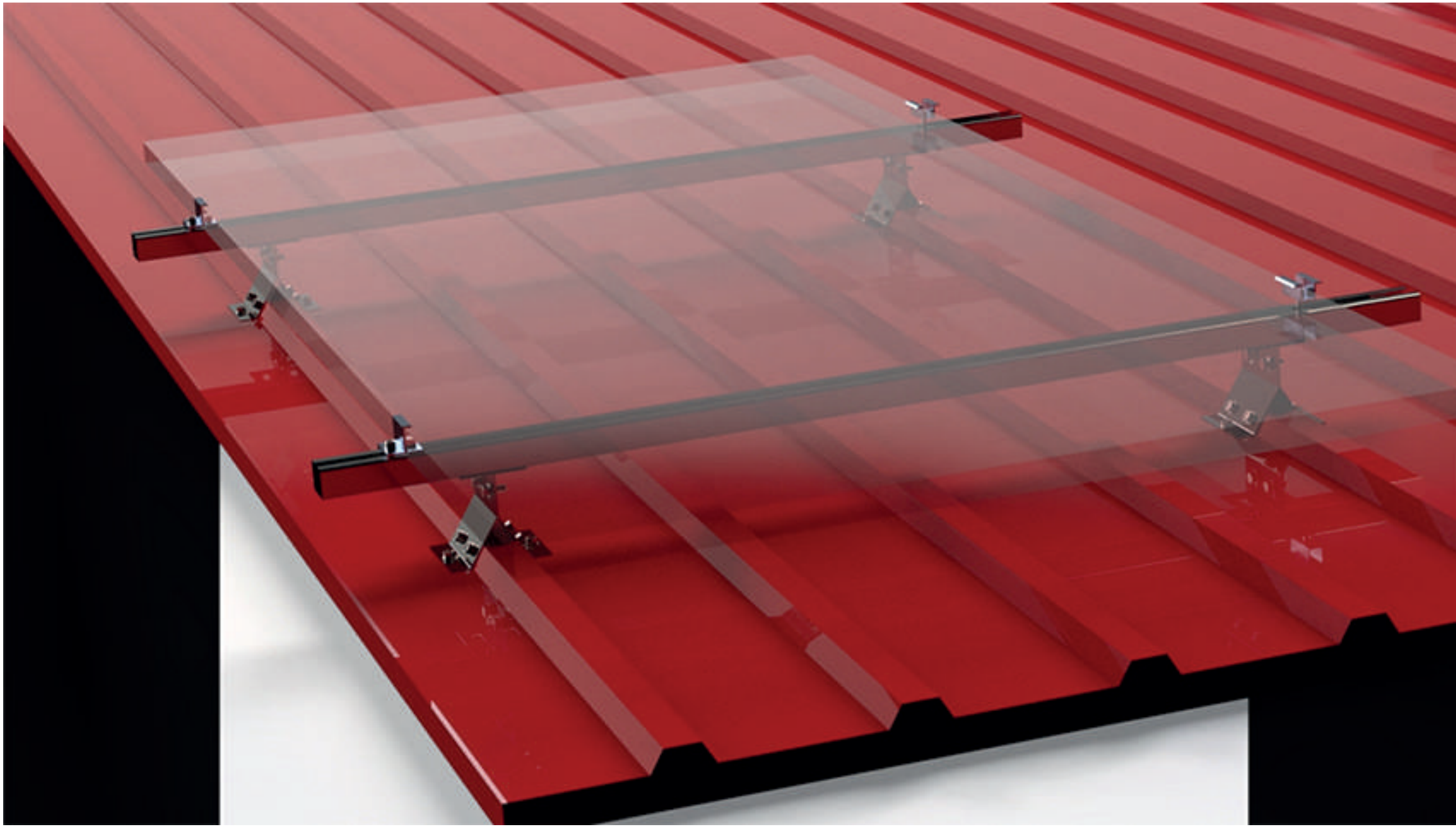


NOVASUN
Nova Steel Metal Corporation.

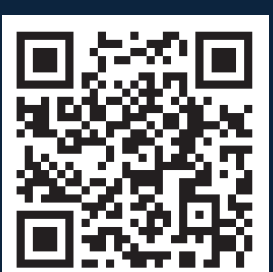
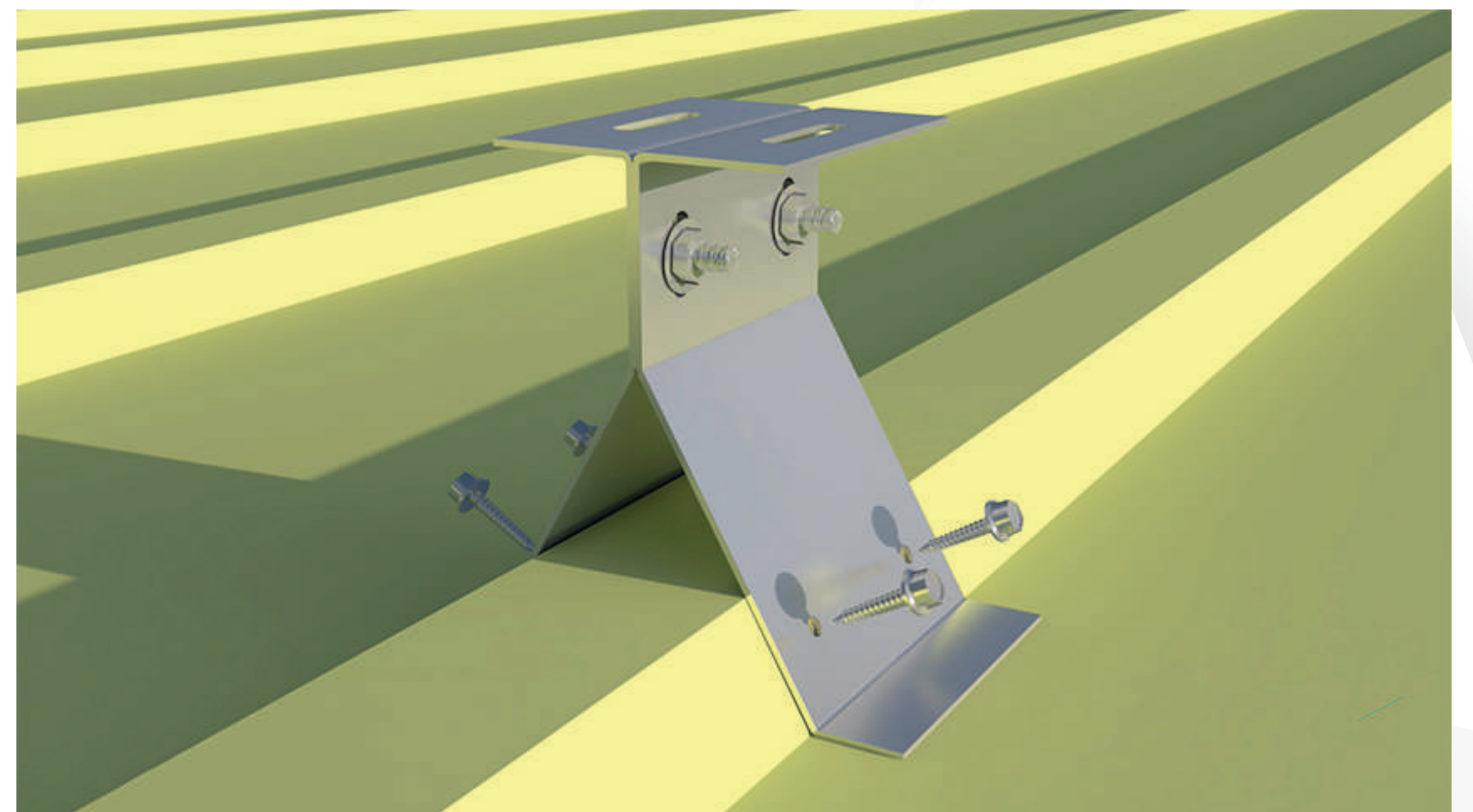
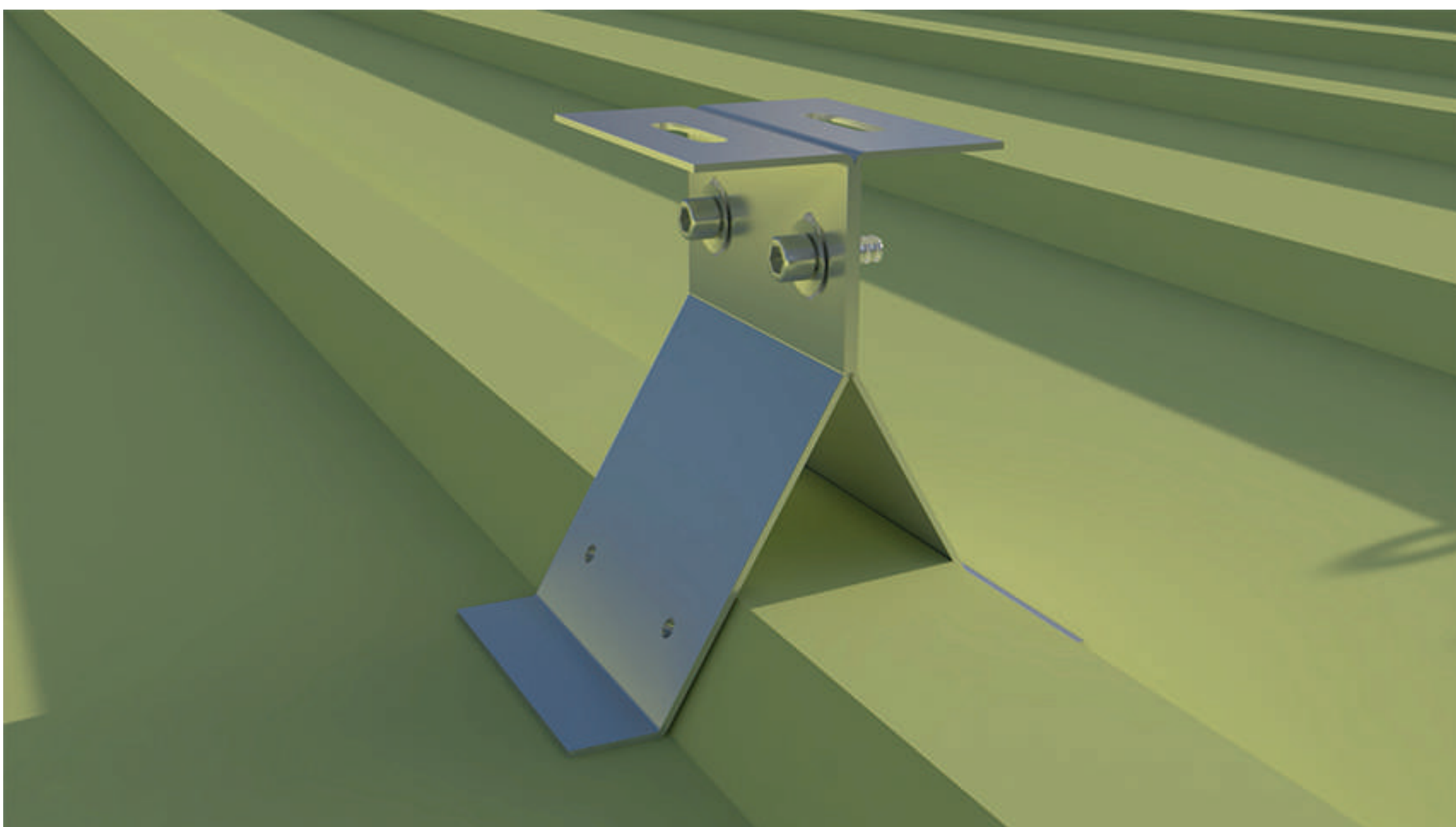
1.2. Double - Angle

Our Double-Angle assembly solution was created distinctively for Trapezoid Sheet and Sandwich Panel Coating roofs. It provides maximum impermeability with fast installation with side assembly on harves or assembly on structure hangers and EPDM Band.

It provides opportunity to install securely with stainless & galvanized steel sealed roof screw. It ensures fast and ergonomic installation with its design and product structure.



| Technical Data | |
|------------------|---|
| Area of Usage | Sandwich Panel & Trapezoid Sheeting Roofs |
| Length Options | Assembling to twist by side & Assembling to structure purline |
| Height Options | 5-15 cm |
| Material Options | Stainless Steel(SS304), Hot dipped galvanized steel (S235ÜR), Pre-galvanized(DX51D+Z) |



www.novasteelmetal.com
info@novasteelmetal.com

+90 328 802 2288
+90 414 357 5551

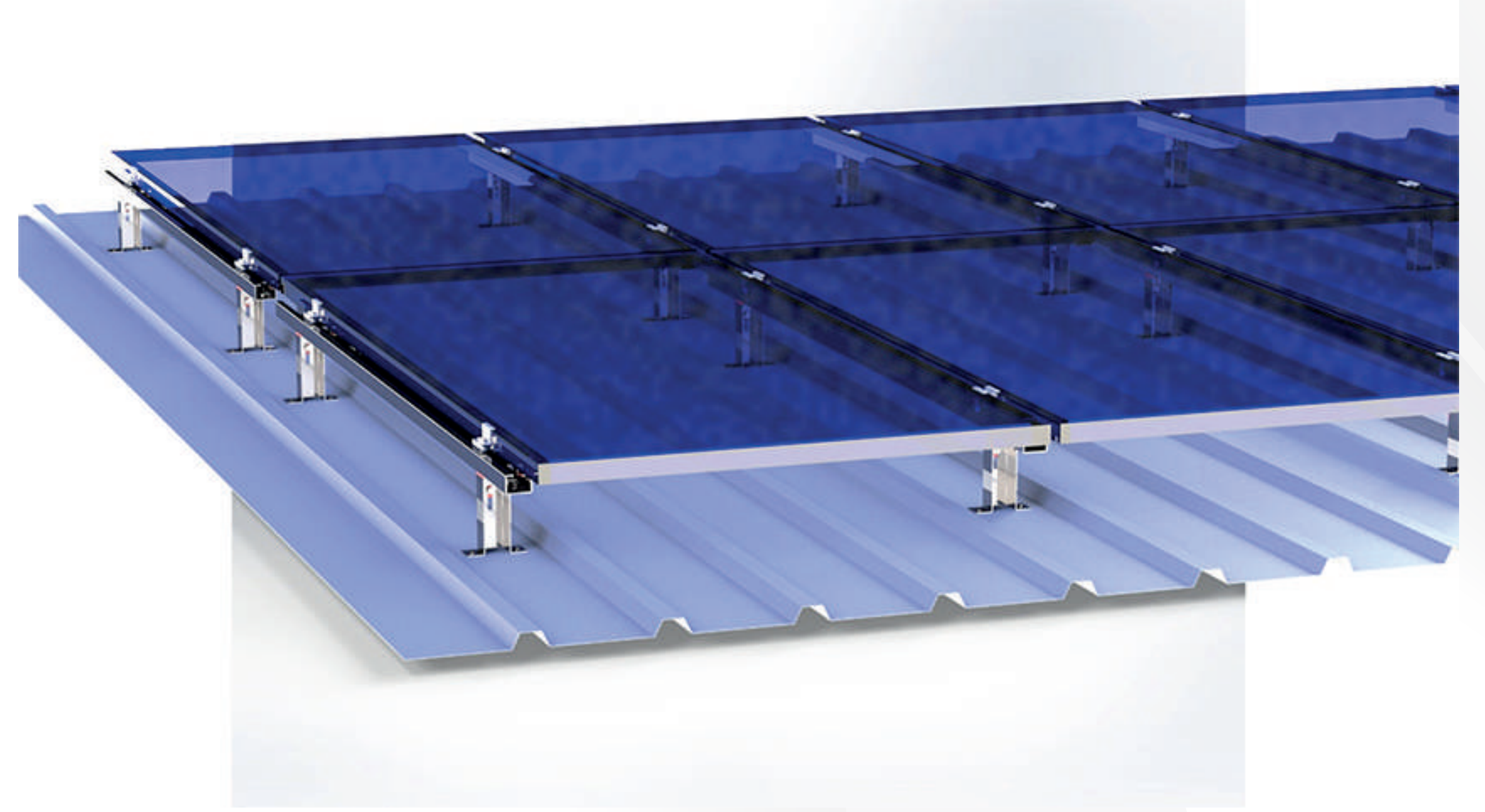
Kadıkendi Mah. Evren 70. Sk. No:7/3 Eyyübiye/Şanlıurfa
Alibeyli Cad. Büyüktüysüz Köyü No:10 Toprakkale/Osmaniye

Your Power Approaching to Sun!



1.3. 20 cm Escalated System (Water Line)

Escalated construction system allows height at 10-20 cm.

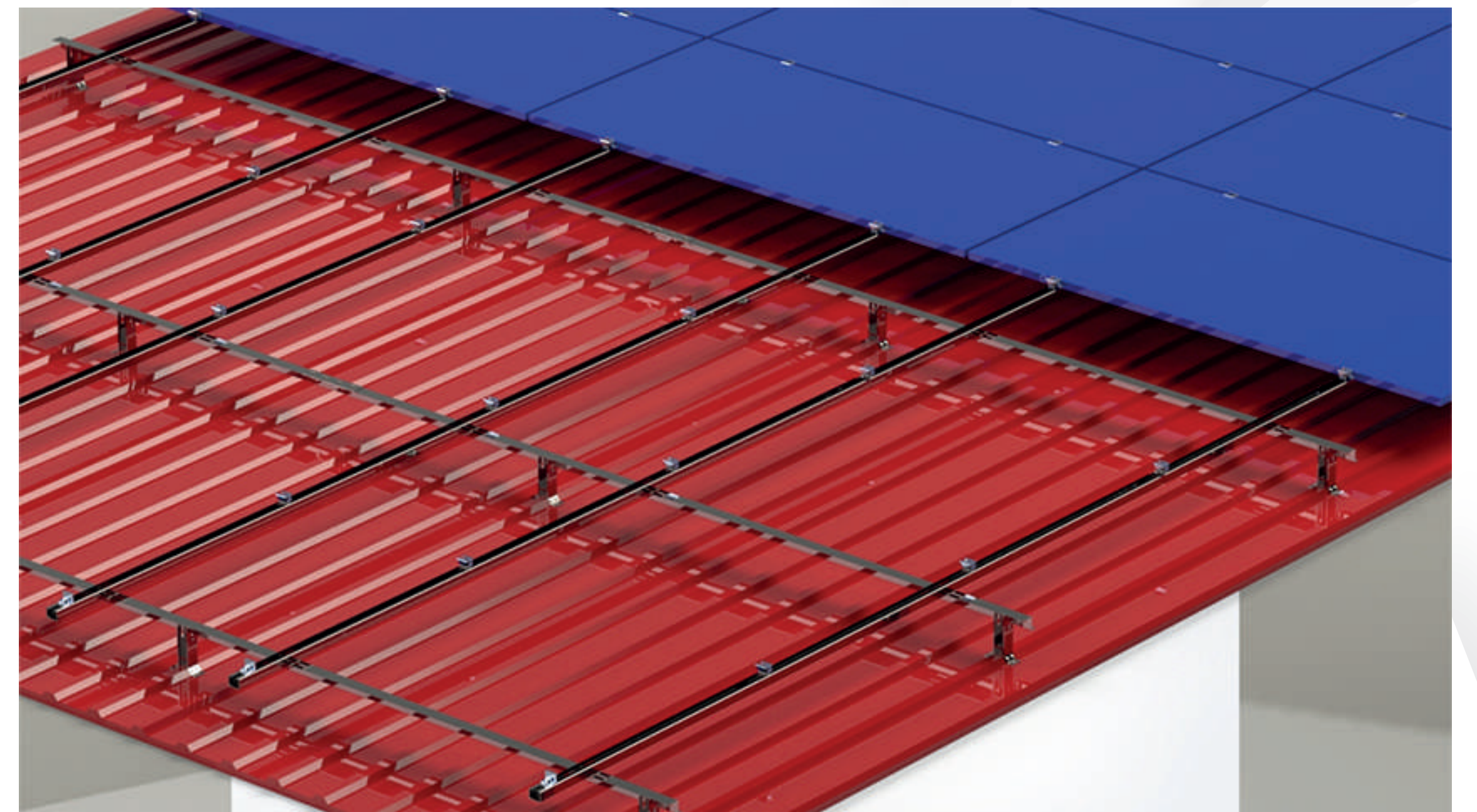
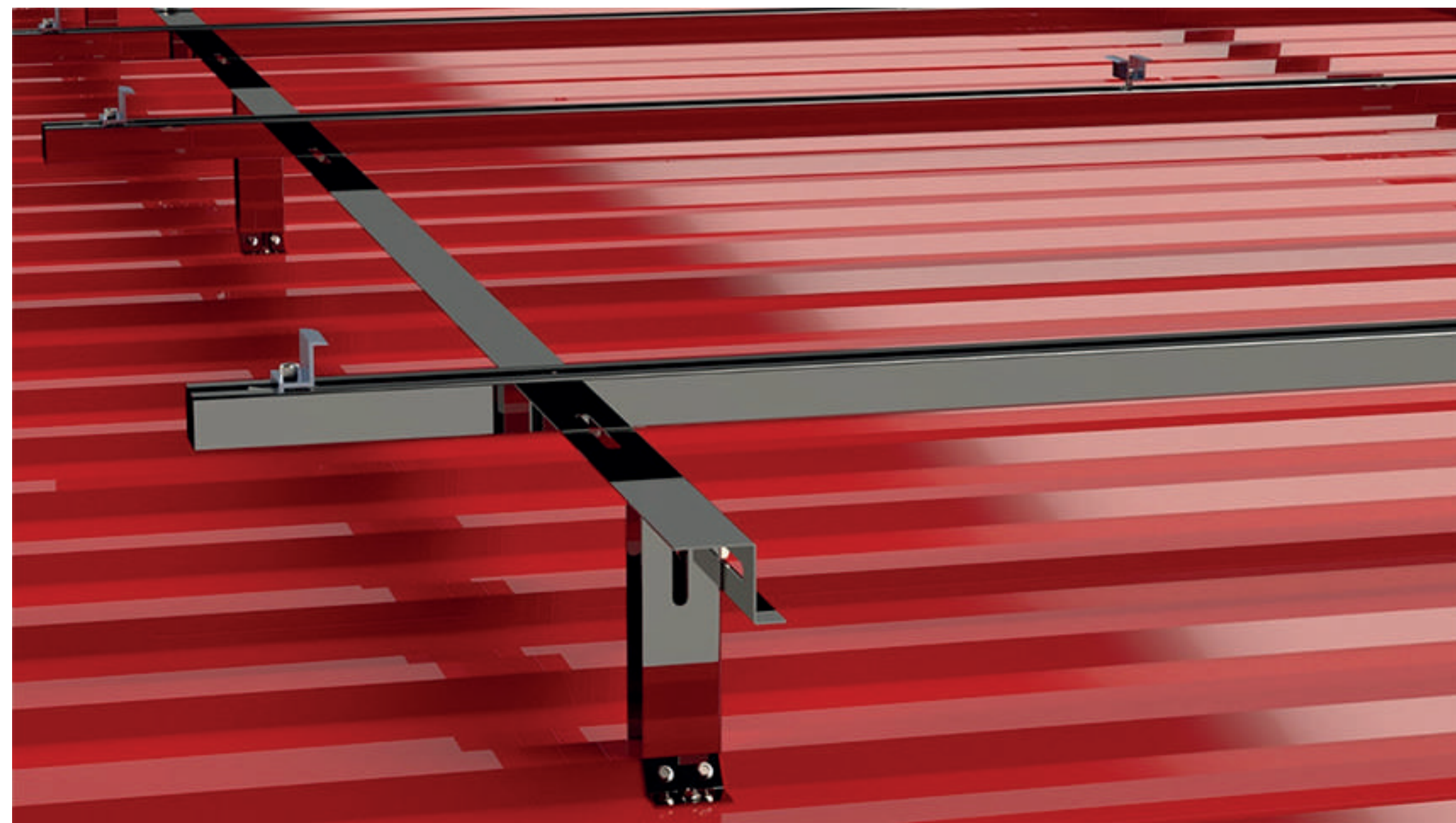


Technical Data

| | |
|------------------|---|
| Area of Usage | Sandwich Panel & Trapezoid Sheeting Roofs |
| Type of Usage | Assembling to Structure Purline |
| Height Options | 10-20 cm |
| Material Options | Stainless Steel(SS304), Hot dipped galvanized steel (S235ÜR), Pre-galvanized(DX51D+Z) |

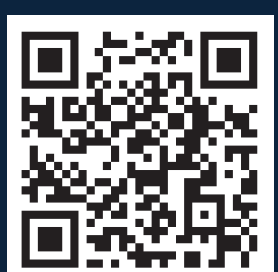
1.4. 20 cm Escalated System (Assembling to Twist)

Escalated construction system allows height at 10-20 cm



Technical Data

| | |
|------------------|---|
| Area of Usage | Sandwich Panel & Trapezoid Sheeting Roofs |
| Type of Usage | Assembling to Twists by Side |
| Height Options | 10-20 cm |
| Material Options | Stainless Steel(SS304), Hot dipped galvanized steel (S235ÜR), Pre-galvanized(DX51D+Z) |



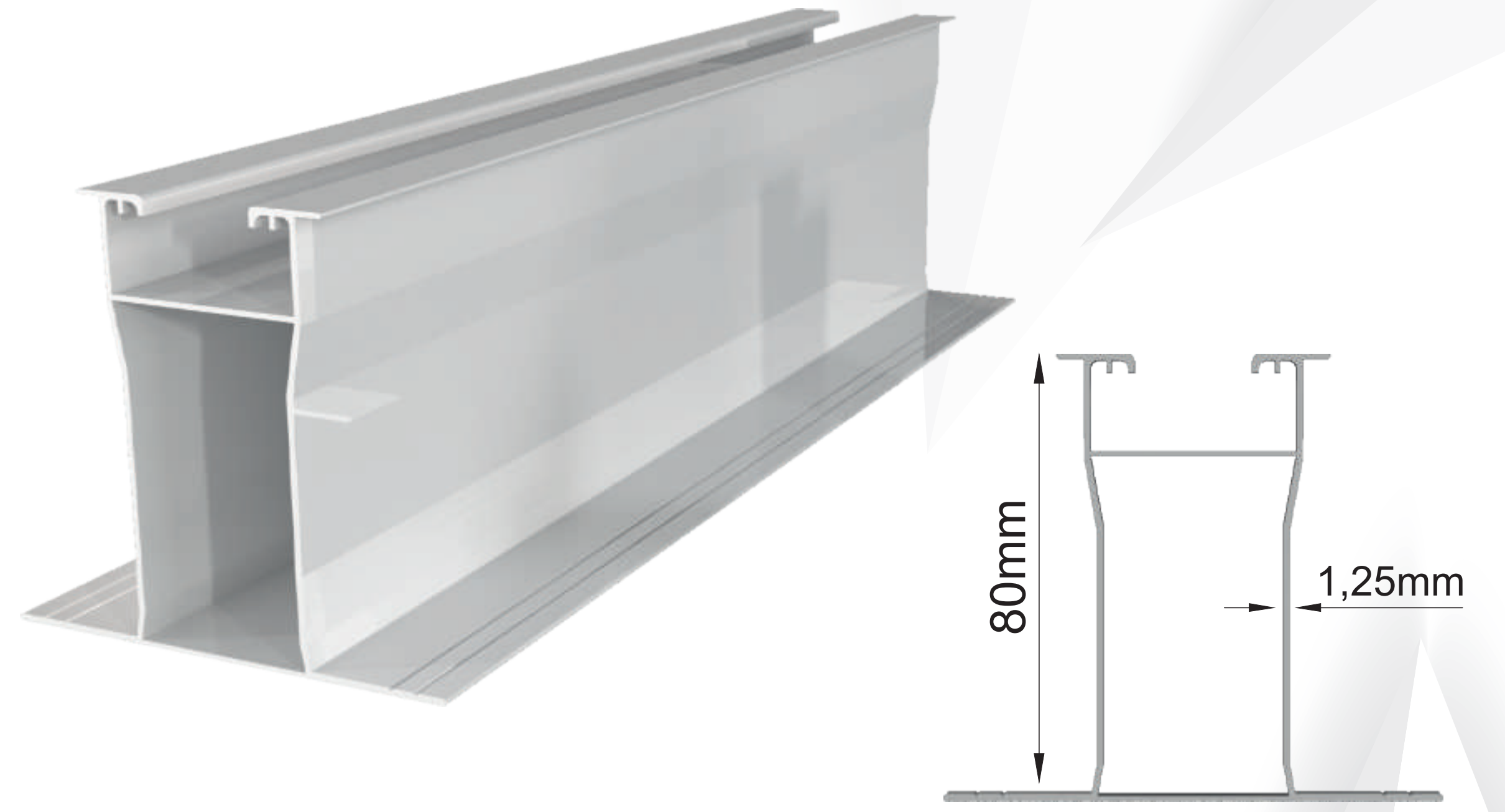
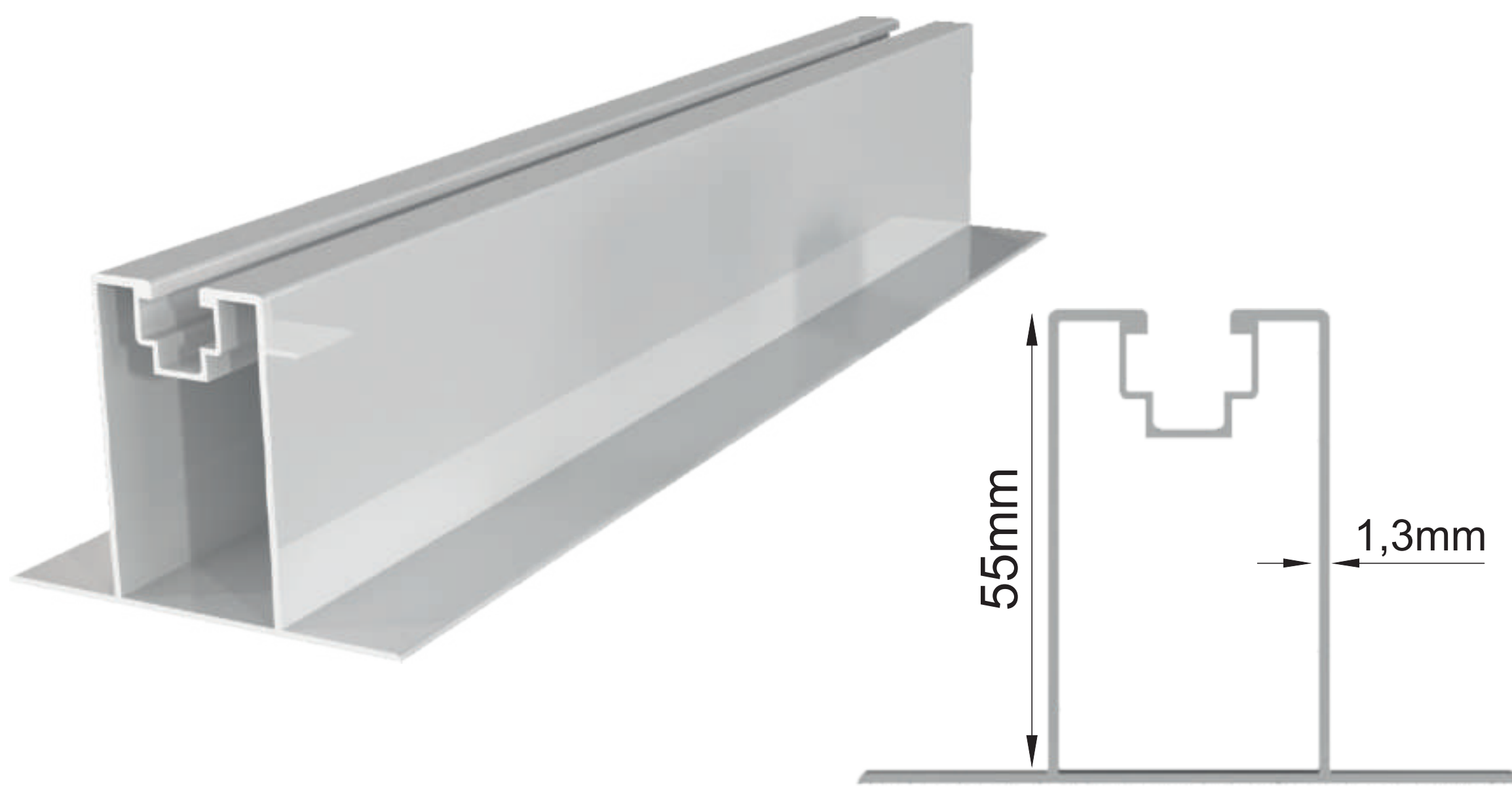
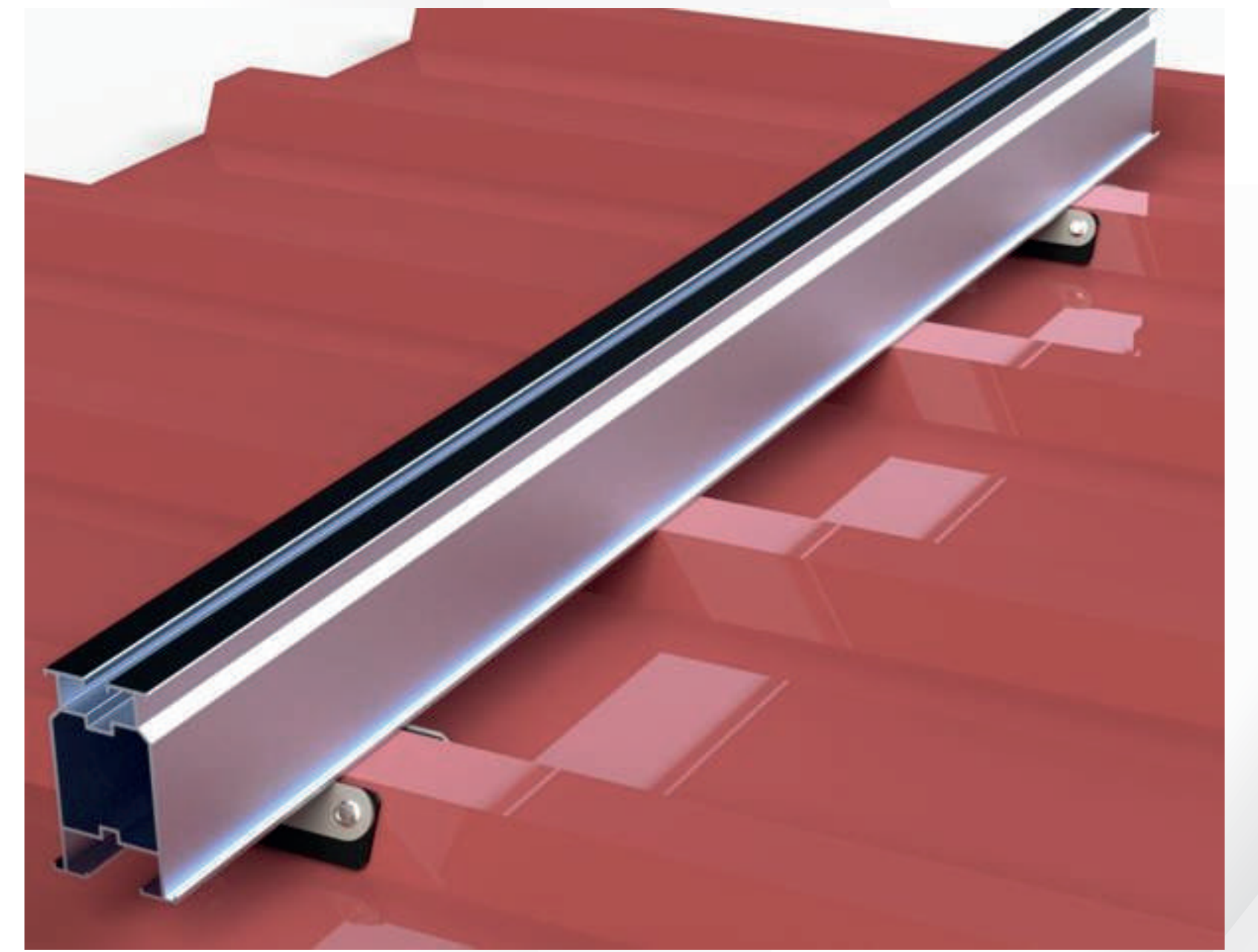
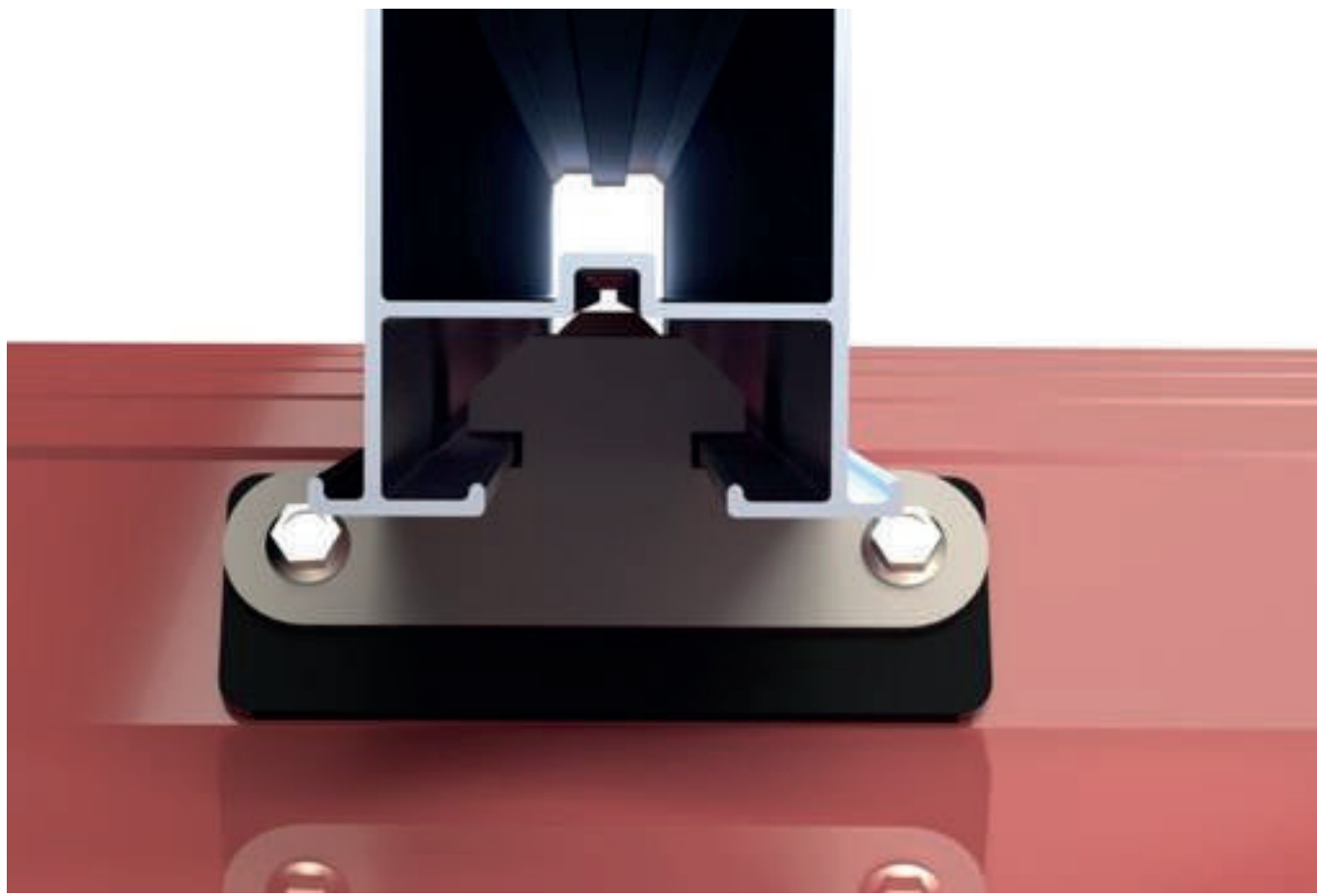
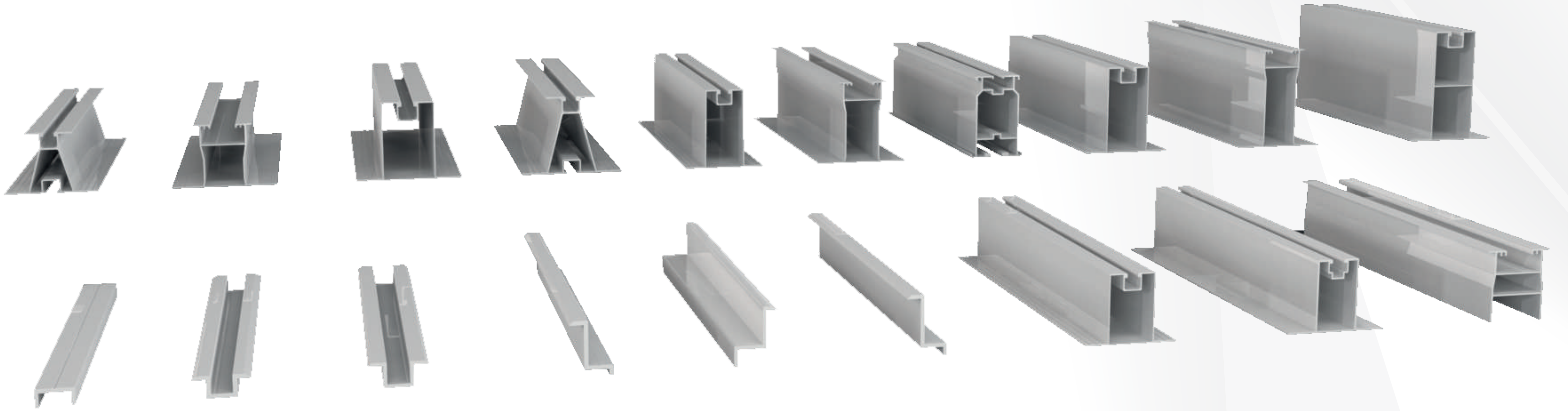


NOVA STEEL



NOVASUN
Nova Steel Metal Corporation.

Aluminum Profiles

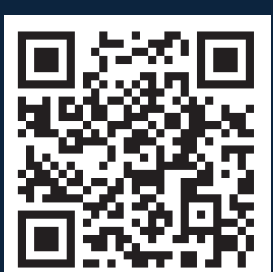


Technical Data

| | |
|------------------|------------------------|
| Material Quality | T6-6063 Aluminum |
| Options | Eloxal and Press |
| Height (H) | 55 mm |
| Length (L) | Optional until 8000 mm |

Technical Data

| | |
|------------------|------------------------|
| Material Quality | T6-6063 Aluminum |
| Options | Eloxal and Press |
| Height (H) | 80 mm |
| Length (L) | Optional until 8000 mm |



www.novasteelmetal.com
info@novasteelmetal.com

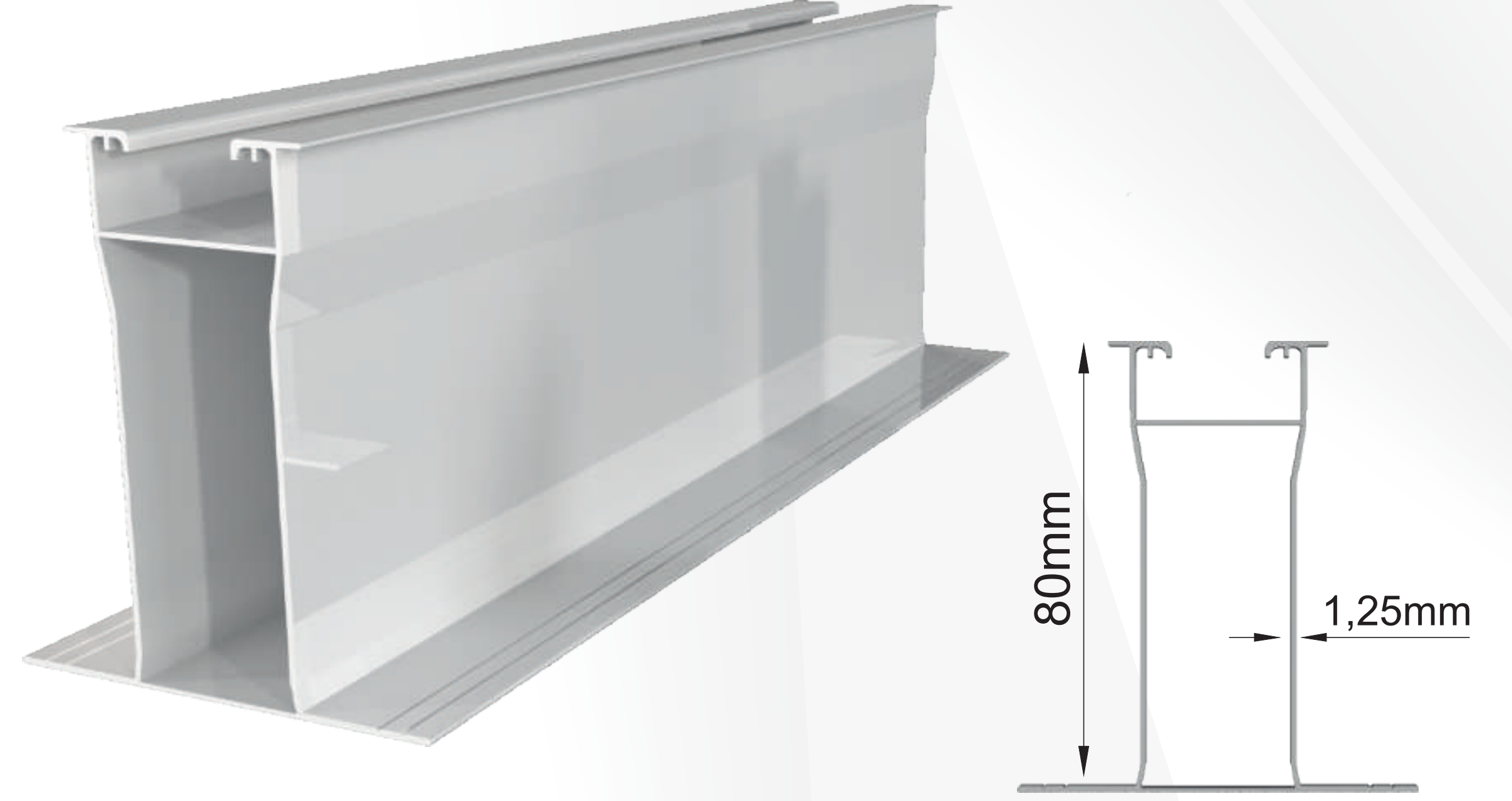
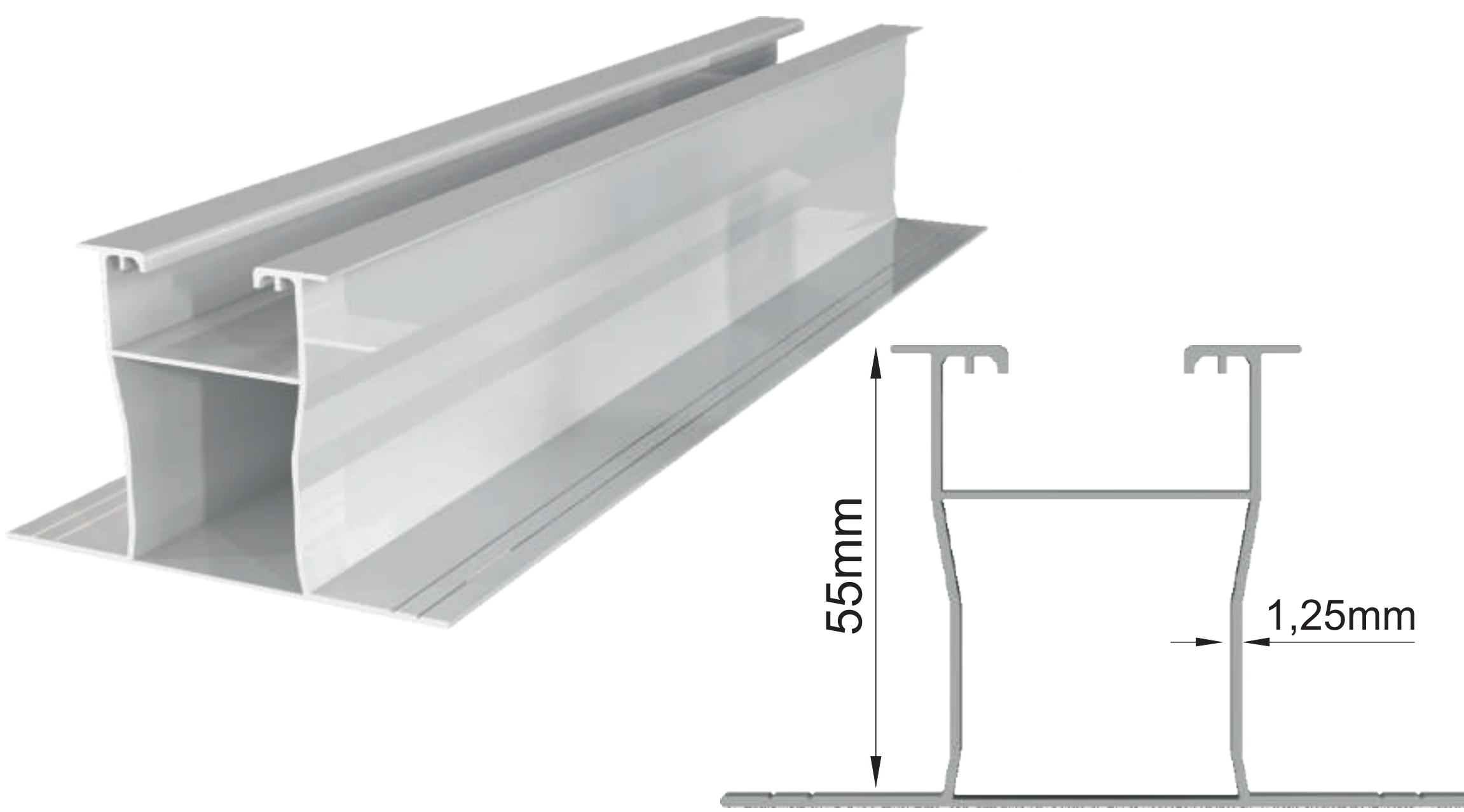
+90 328 802 2288
+90 414 357 5551

Kadıköy Mah. Evren 70. Sk. No:7/3 Eyyübiye/Şanlıurfa
Alibeyli Cad. Büyüktüysüz Köyü No:10 Toprakkale/Osmaniye

Your Power Approaching to Sun!

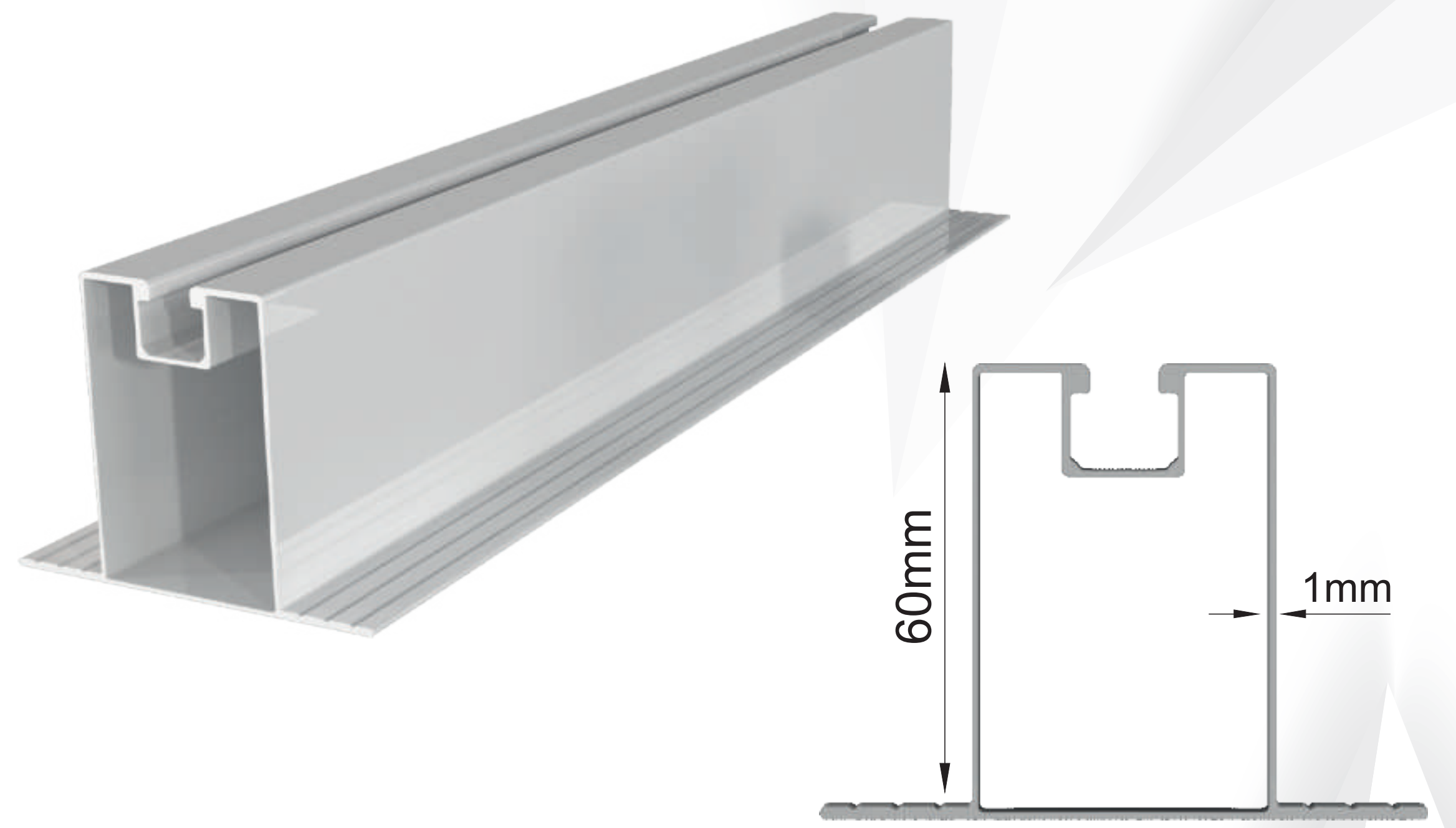
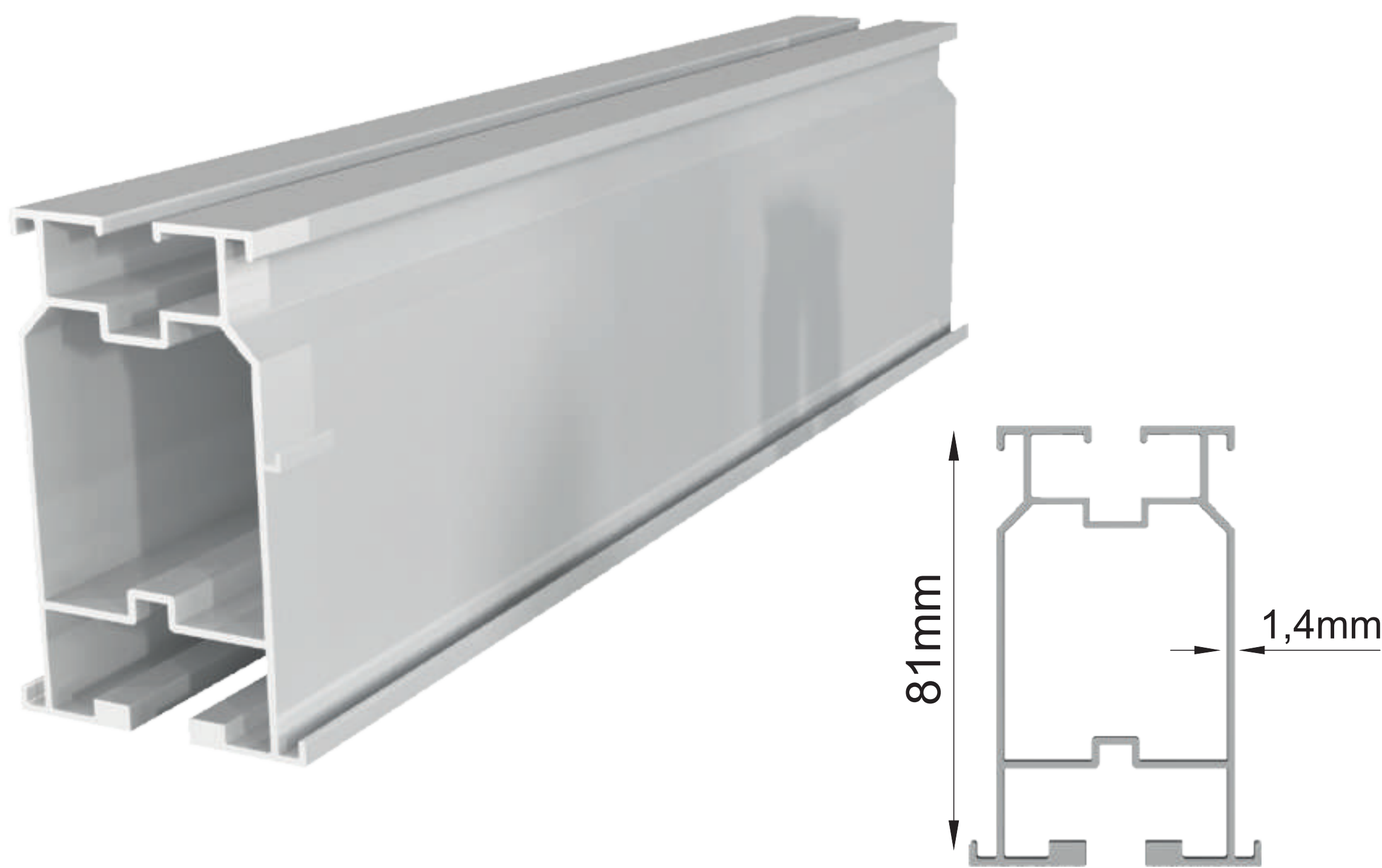


Aluminum Profiles



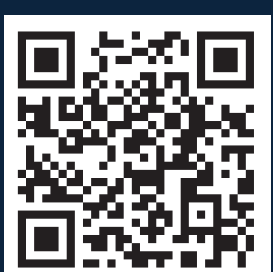
| Technical Data | |
|------------------|------------------------|
| Material Quality | T6-6063 Aluminum |
| Options | Eloxal and Press |
| Height (H) | 55 mm |
| Length (L) | Optional until 8000 mm |

| Technical Data | |
|------------------|------------------------|
| Material Quality | T6-6063 Aluminum |
| Options | Eloxal and Press |
| Height (H) | 80 mm |
| Length (L) | Optional until 8000 mm |



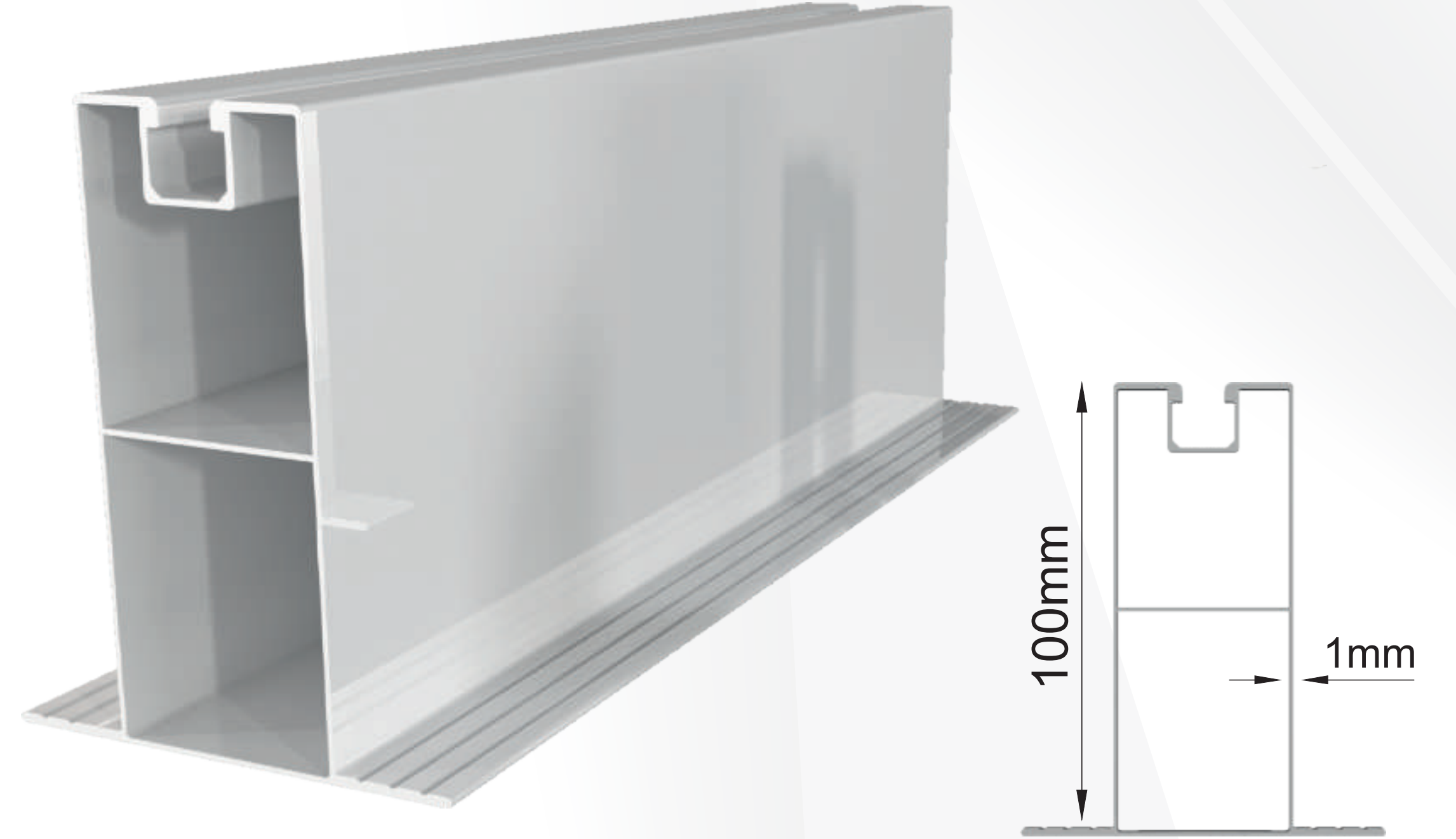
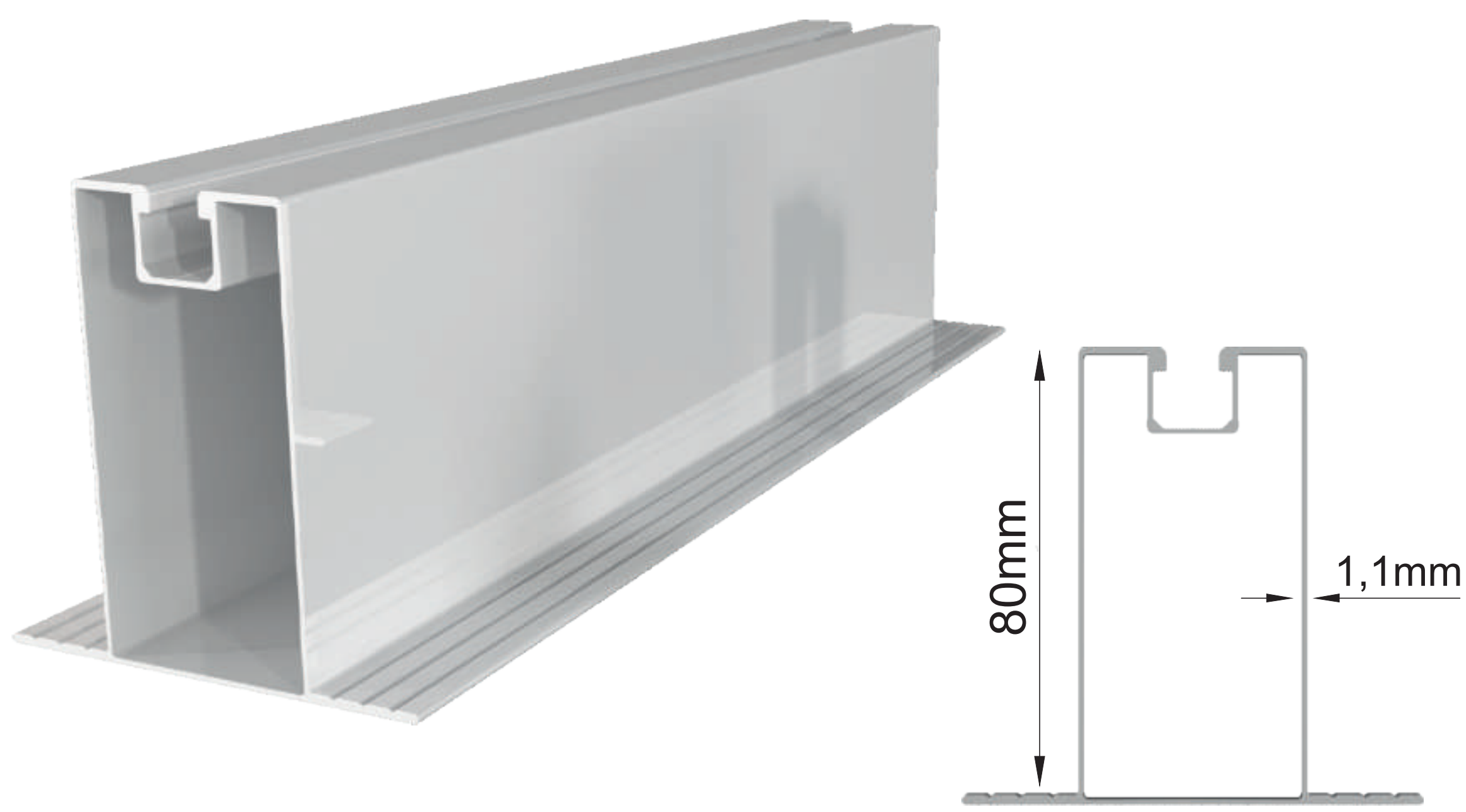
| Technical Data | |
|------------------|------------------------|
| Material Quality | T6-6063 Aluminum |
| Options | Eloxal and Press |
| Height (H) | 81 mm |
| Length (L) | Optional until 8000 mm |

| Technical Data | |
|------------------|------------------------|
| Material Quality | T6-6063 Aluminum |
| Options | Eloxal and Press |
| Height (H) | 60 mm |
| Length (L) | Optional until 8000 mm |



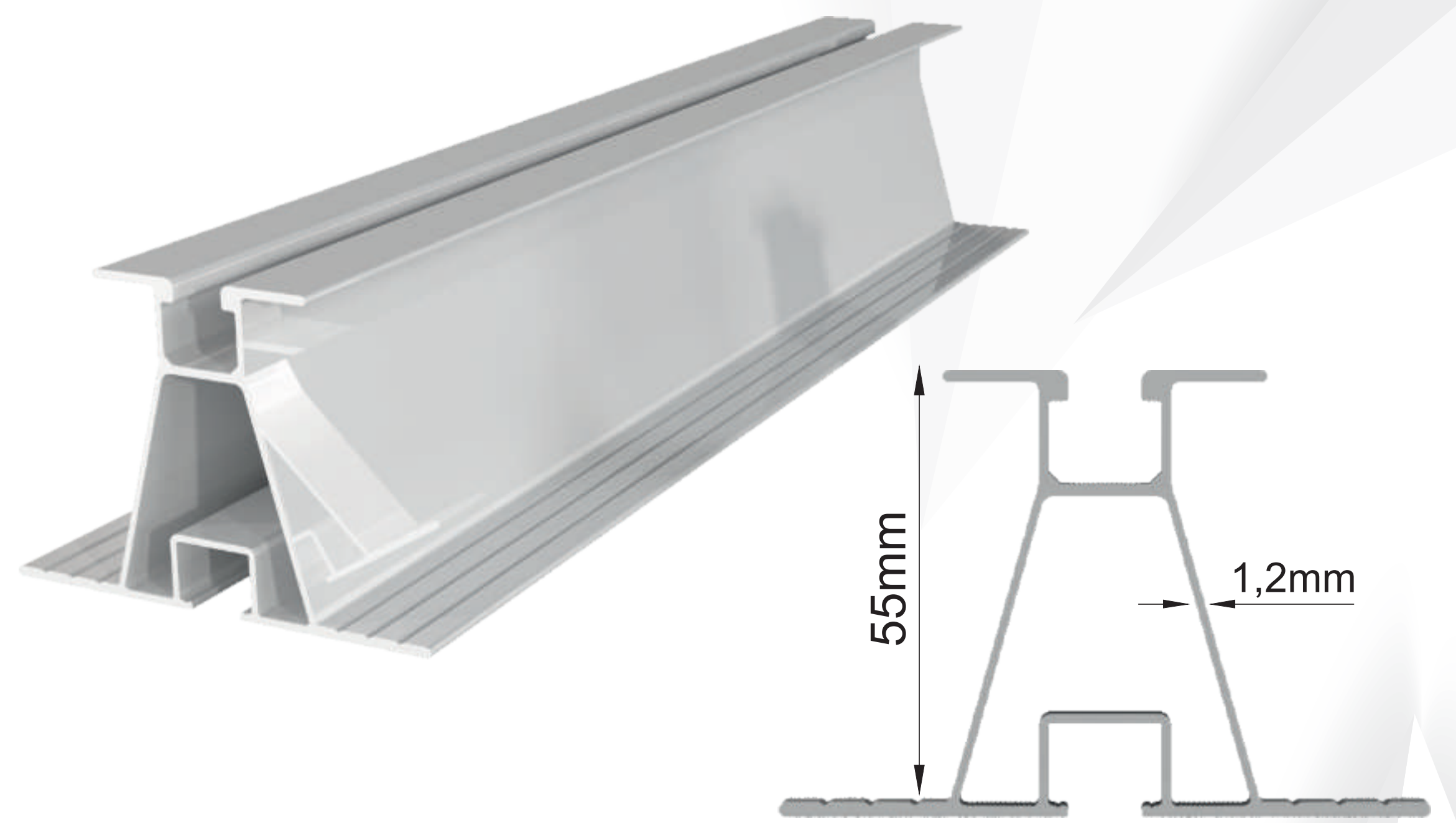
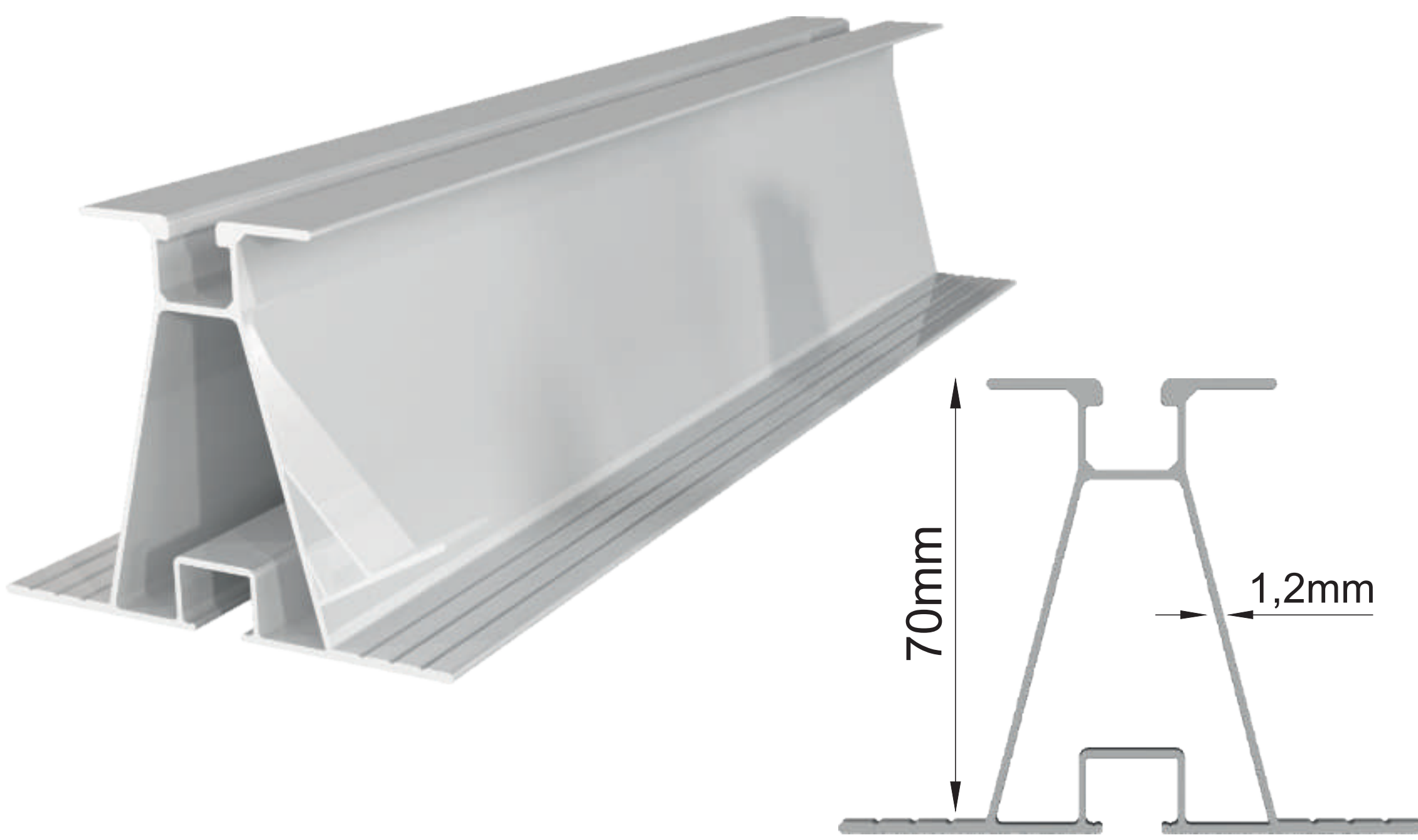


Aluminum Profiles



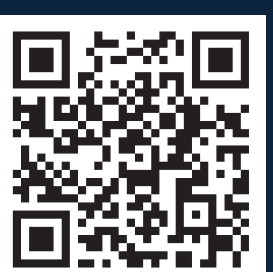
| Technical Data | |
|------------------|------------------------|
| Material Quality | T6-6063 Aluminum |
| Options | Eloxal and Press |
| Height (H) | 80 mm |
| Length (L) | Optional until 8000 mm |

| Technical Data | |
|------------------|------------------------|
| Material Quality | T6-6063 Aluminum |
| Options | Eloxal and Press |
| Height (H) | 100 mm |
| Length (L) | Optional until 8000 mm |



| Technical Data | |
|------------------|------------------------|
| Material Quality | T6-6063 Aluminum |
| Options | Eloxal and Press |
| Height (H) | 70 mm |
| Length (L) | Optional until 8000 mm |

| Technical Data | |
|------------------|------------------------|
| Material Quality | T6-6063 Aluminum |
| Options | Eloxal and Press |
| Height (H) | 55 mm |
| Length (L) | Optional until 8000 mm |



Our Flat & Membrane Roof Solutions

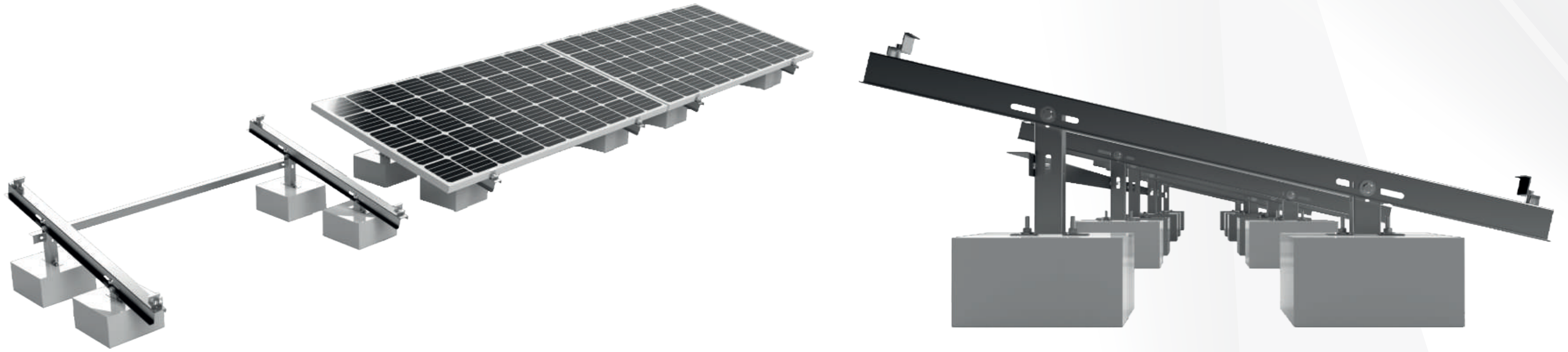


NOVA STEEL



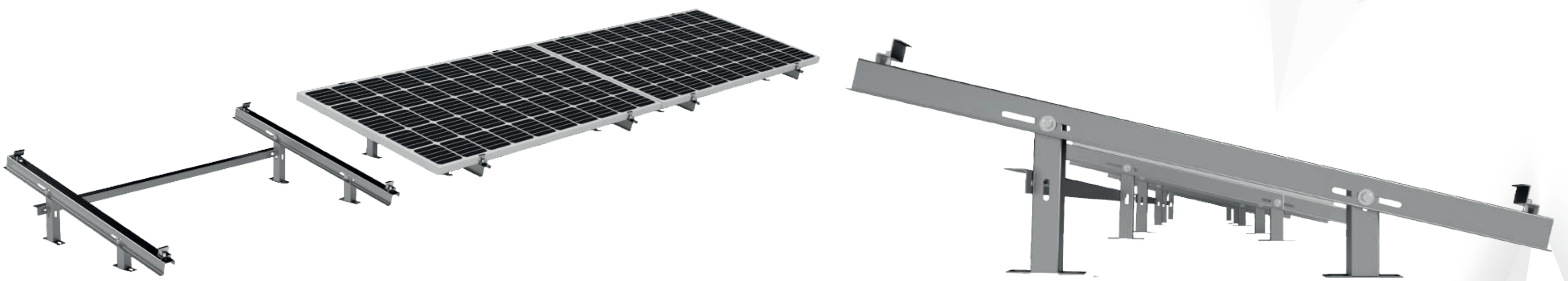
NOVASUN
Nova Steel Metal Corporation.

2.1. Flat Roof Construction with Weighted-method

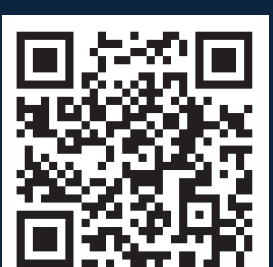


| Technical Data | |
|------------------|---|
| Area of Usage | Flat Concrete, Membrane, Gravel Roof |
| Type of Usage | Non-drill, self-weighted |
| Stand Angle | 5-13° |
| Material Options | Stainless Steel(SS304), Hot dipped galvanized steel (S235ÜR), Pre-galvanized(DX51D+Z) |

2.2. Flat Roof Construction with fixing-method



| Technical Data | |
|------------------|---|
| Area of Usage | Flat Concrete, Membrane, Gravel Roof |
| Type of Usage | Fixing by means of steel dowel |
| Stand Angle | 5-13° |
| Material Options | Stainless Steel(SS304), Hot dipped galvanized steel (S235ÜR), Pre-galvanized(DX51D+Z) |



www.novasteelmetal.com
info@novasteelmetal.com

+90 328 802 2288
+90 414 357 5551

Kadıköy Mah. Evren 70. Sk. No:7/3 Eyyübiye/Şanlıurfa
Alibeyli Cad. Büyüktüysüz Köyü No:10 Toprakkale/Osmaniye

Your Power Approaching to Sun!

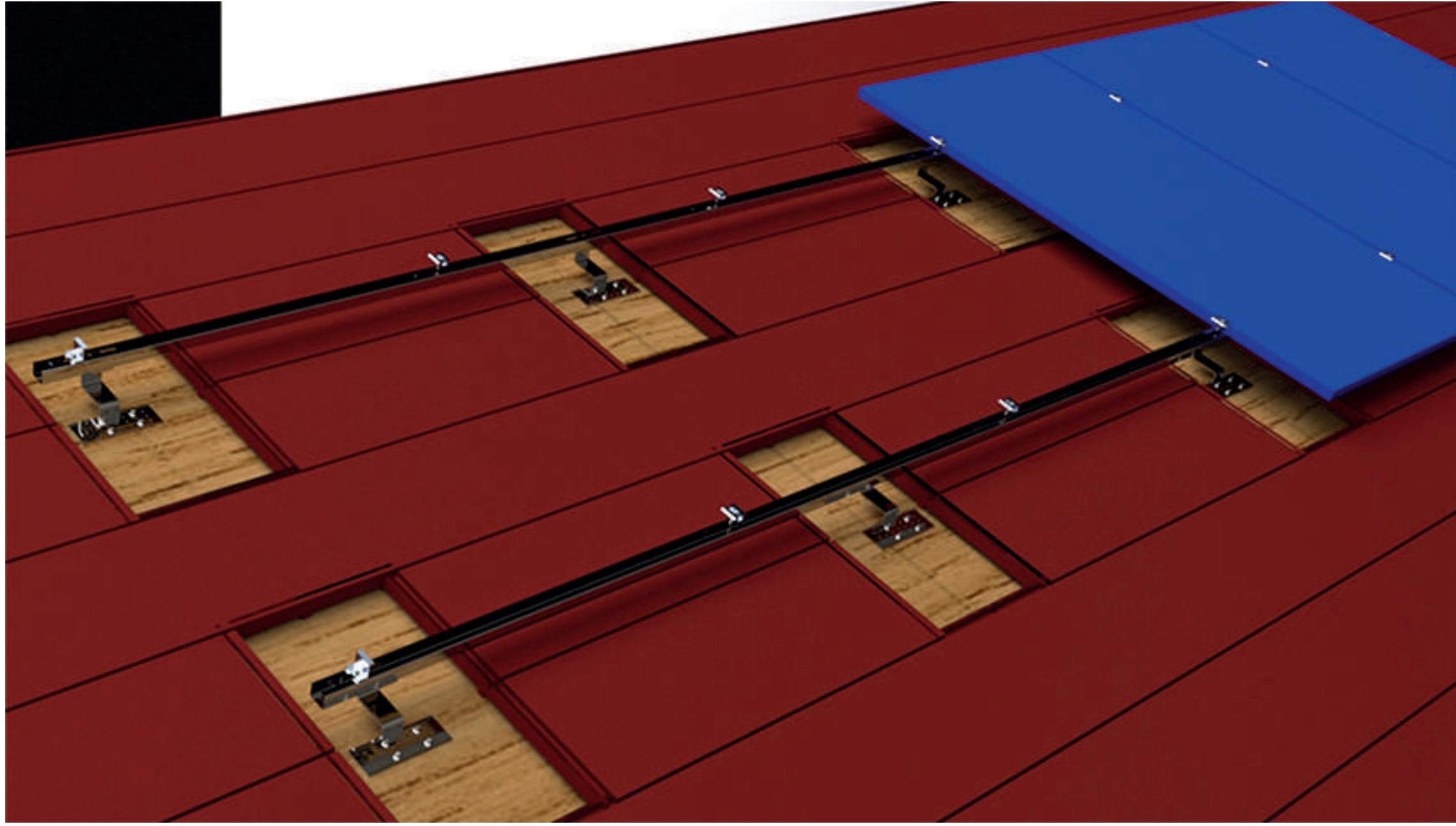


NOVA STEEL



NOVASUN
Nova Steel Metal Corporation.

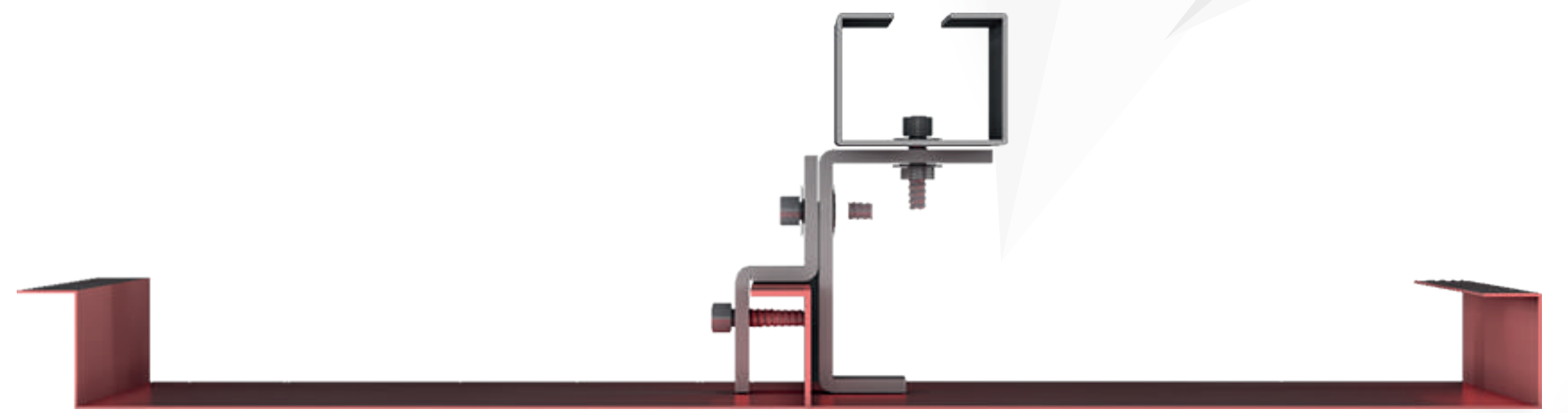
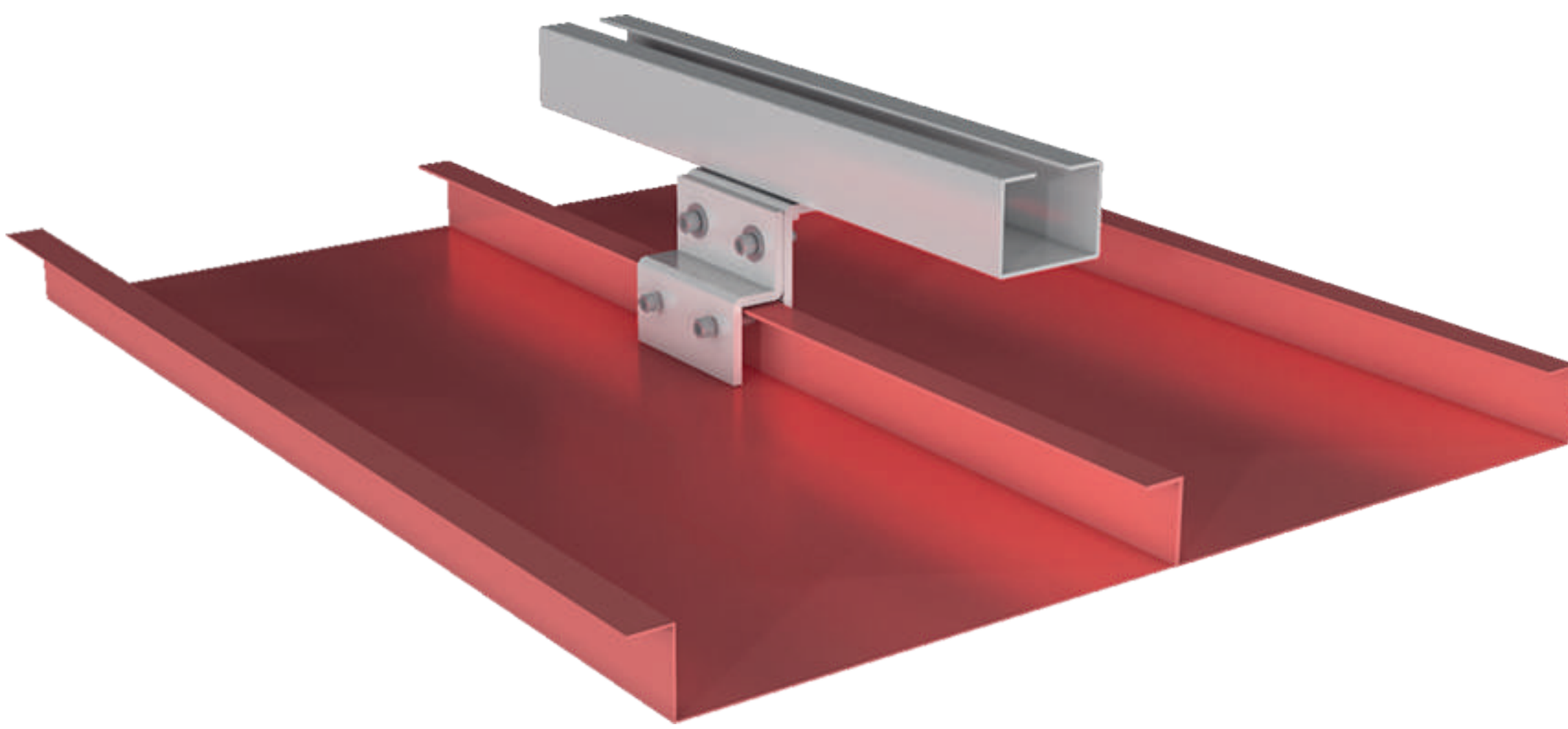
Our Tile Roof Solutions



Technical Data

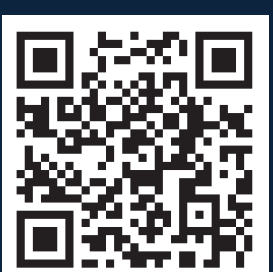
| | |
|---------------------|---|
| Area of Usage | Tile Roof |
| Type of Assembly | On wooden purline of structure and OSB |
| Roof Tile Apparatus | Hot dipped galvanized steel (S2353R) Painted (S2353R) |
| Material Options | Stainless Steel(SS304), Hot dipped galvanized steel (S235ÜR), Pre-galvanized(DX51D+Z) |

Our Standing-Seam Roof Solutions



Technical Data

| | |
|------------------|---|
| Area of Usage | Standing-Seam Roof |
| Type of Usage | Seam covering compact, rail system |
| Height | 6-12 cm |
| Material Options | Stainless Steel(SS304), Hot dipped galvanized steel (S235ÜR), Pre-galvanized(DX51D+Z) |



www.novasteelmetal.com
info@novasteelmetal.com

+90 328 802 2288
+90 414 357 5551

Kadıkendi Mah. Evren 70. Sk. No:7/3 Eyyübiye/Şanlıurfa
Alibeyli Cad. Büyüktüysüz Köyü No:10 Toprakkale/Osmaniye

Your Power Approaching to Sun!



Roof Walking Path Systems

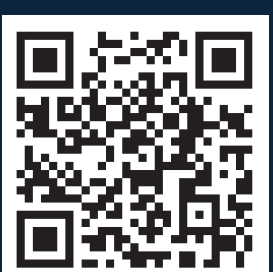
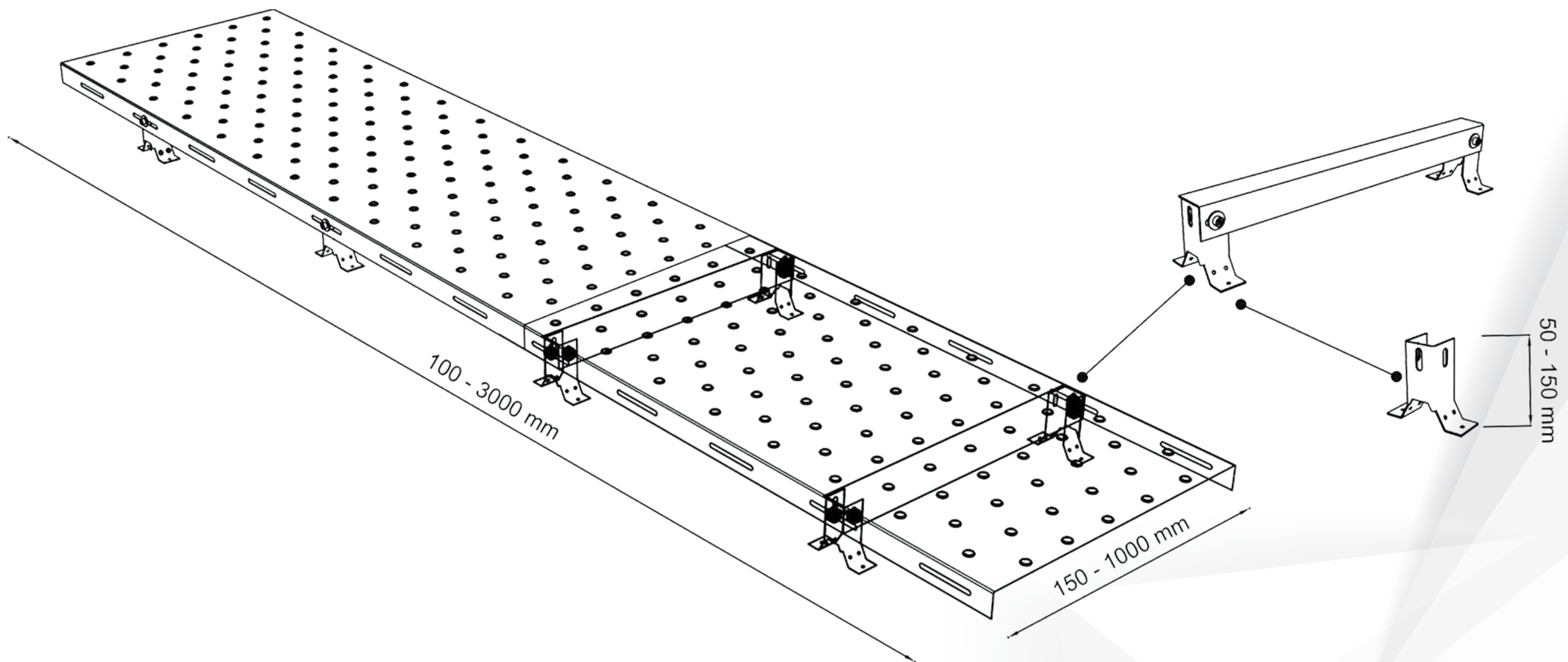
Our "Roof Walking Path" design, which we developed to constitute a safe environment and enable access on the roof surfaces, prevents slipping by means of special pattern. It is assembled to twists of clamped sheet with special facility to fasten to the roof.

Our roof walking path product is designed as suitable for any kind of weather condition, durable against corrosion and having high level of endurance and strength.



1.1. Designing Features

| Technical Data | |
|------------------|---|
| Area of Usage | Sandwich Panel and Trapezoid Sheeting |
| Length Options | 100 – 3000 mm |
| Height Options | 50 – 150 mm |
| Material Options | Stainless Steel(SS304), Hot dipped galvanized steel (S235ÜR), Pre-galvanized(DX51D+Z) |





Roof Walking Path Systems

1.2. Anti-Slipping Special Pattern

Our roof walking path design prevents slipping which may occur in possible works on the roof, and enables roof access, and constitutes a safe working environment by means of special pattern.

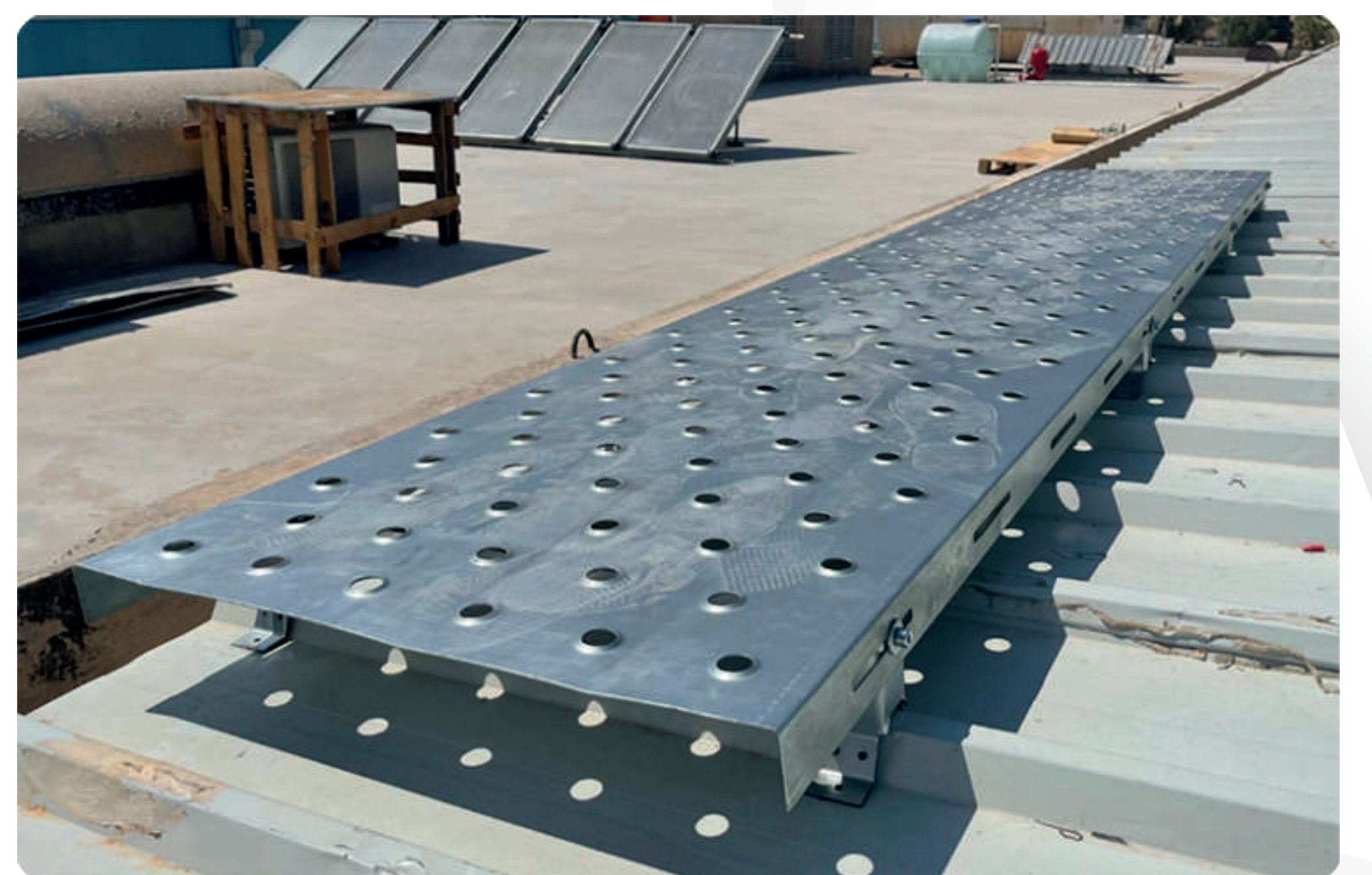


1.3. Assembling to Twist

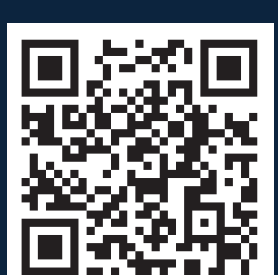
It is assembled to twists of clamped sheet with special facility to fasten to the roof. It is easy to maintain and assembly. It prevents roof panel damage caused by walking traffic.

1.4. Durable against Hard Condition

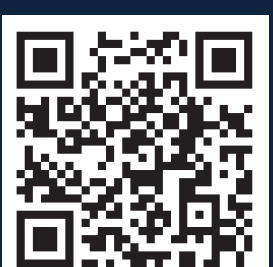
Our roof walking path product is designed as suitable for any kind of weather condition, durable against corrosion and having high level of endurance and strength.



“Roof safety system can be substantially improved by installing a suitable and well-designed roof walking path system.”



They Preferred Us



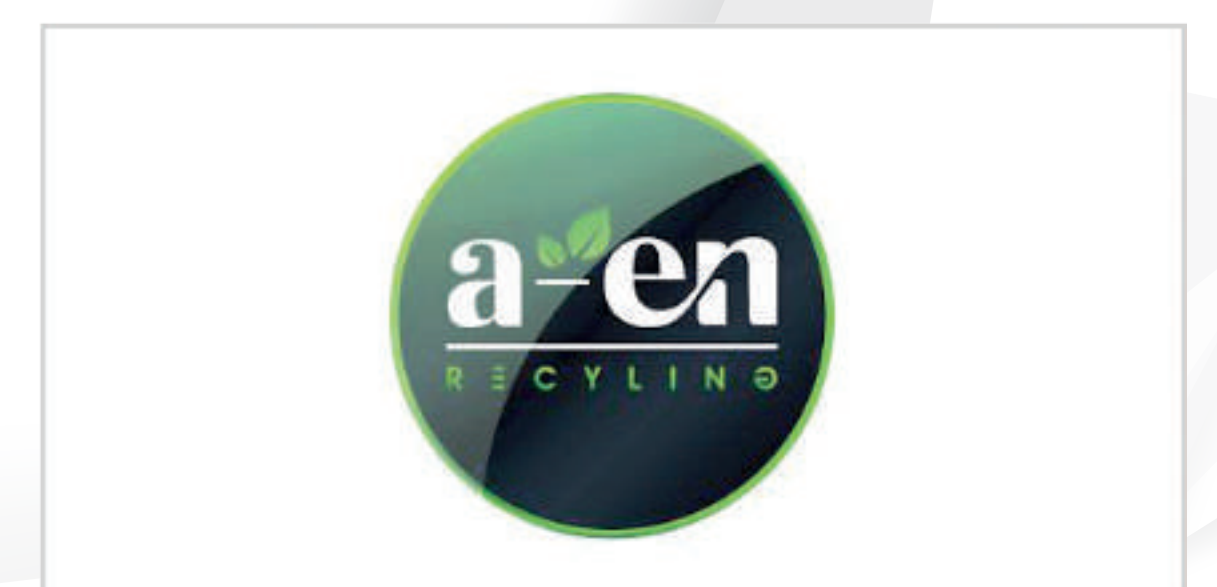


NOVA STEEL



NOVASUN
Nova Steel Metal Corporation.

They Preferred Us



www.novasteelmetal.com
info@novasteelmetal.com

+90 328 802 2288
+90 414 357 5551

Kadıkendi Mah. Evren 70. Sk. No:7/3 Eyyübiye/Şanlıurfa
Alibeyli Cad. Büyüktüysüz Köyü No:10 Toprakkale/Osmaniye

Your Power Approaching to Sun!



NOVA STEEL



NOVASUN
Nova Steel Metal Corporation.

They Preferred Us



www.novasteelmetal.com
info@novasteelmetal.com

+90 328 802 2288
+90 414 357 5551

Kadıkendi Mah. Evren 70. Sk. No:7/3 Eyyübiye/Şanlıurfa
Alibeyli Cad. Büyüktüysüz Köyü No:10 Toprakkale/Osmaniye

Your Power Approaching to Sun!



NOVA STEEL

Sanliurfa Factory

T: +90 414 357 5551

E: info@novasteelmetal.com

W: www.novasteelmetal.com

Kadikendi Mah. Evren 70. Sk. No:7/3
EYYUBIYE/SANLIURFA - TURKEY

Osmaniye Factory

T: +90 328 802 2288

E: info@novasteelmetal.com

W: www.novasteelmetal.com

Alibeyli Cad. Büyüktüysüz Köyü No:10
TOPRAKKALE/OSMANIYE - TURKEY



NOVASUN

Nova Steel Metal Corporation.